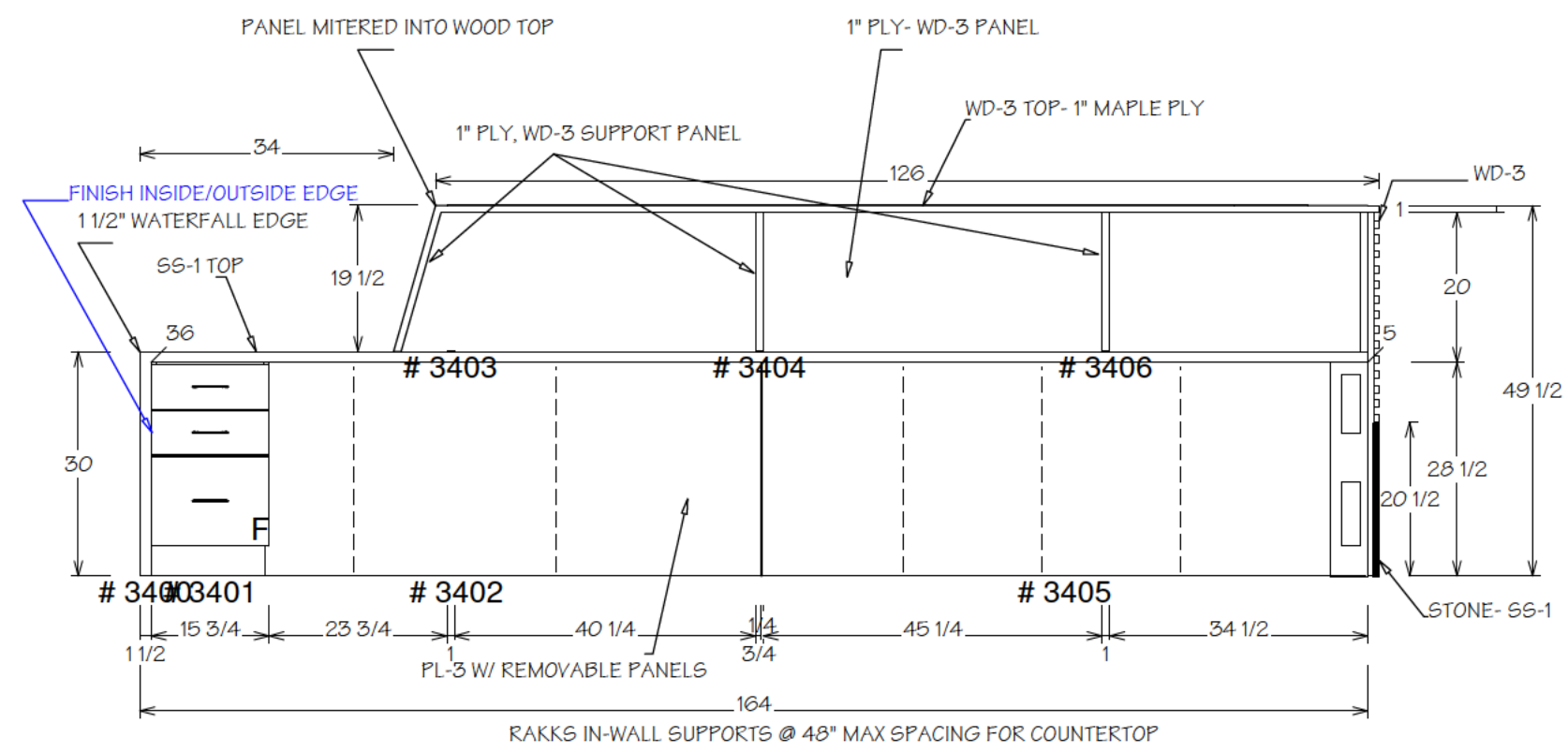


COORDINATE (2) STAINLESS STEEL GROMMETS WITH G.C.  
PLEASE SPECIFY SIZE

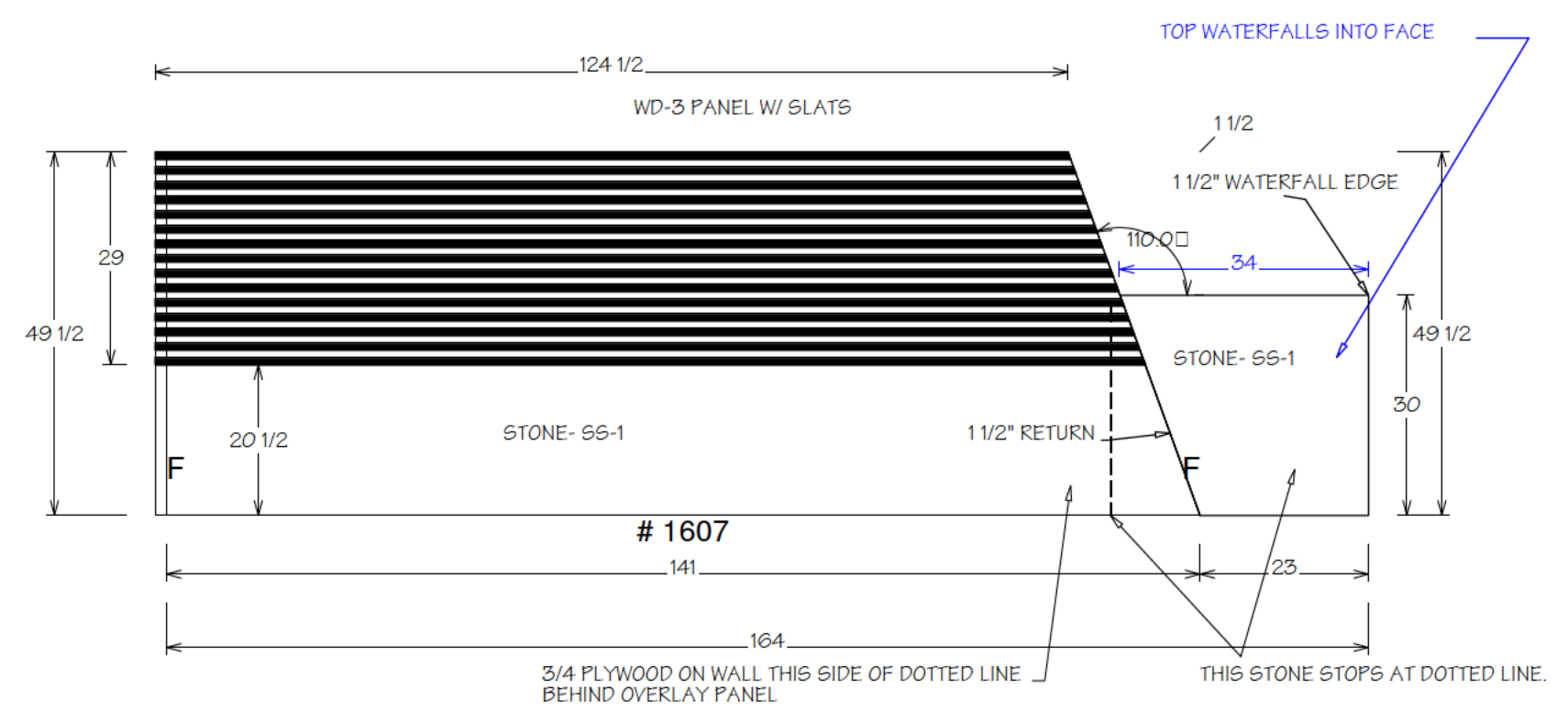
**A** RECEPTION- FIX PLAN  
Scale: 3/4" = 1'

- Approved
- Rejected (As Noted)

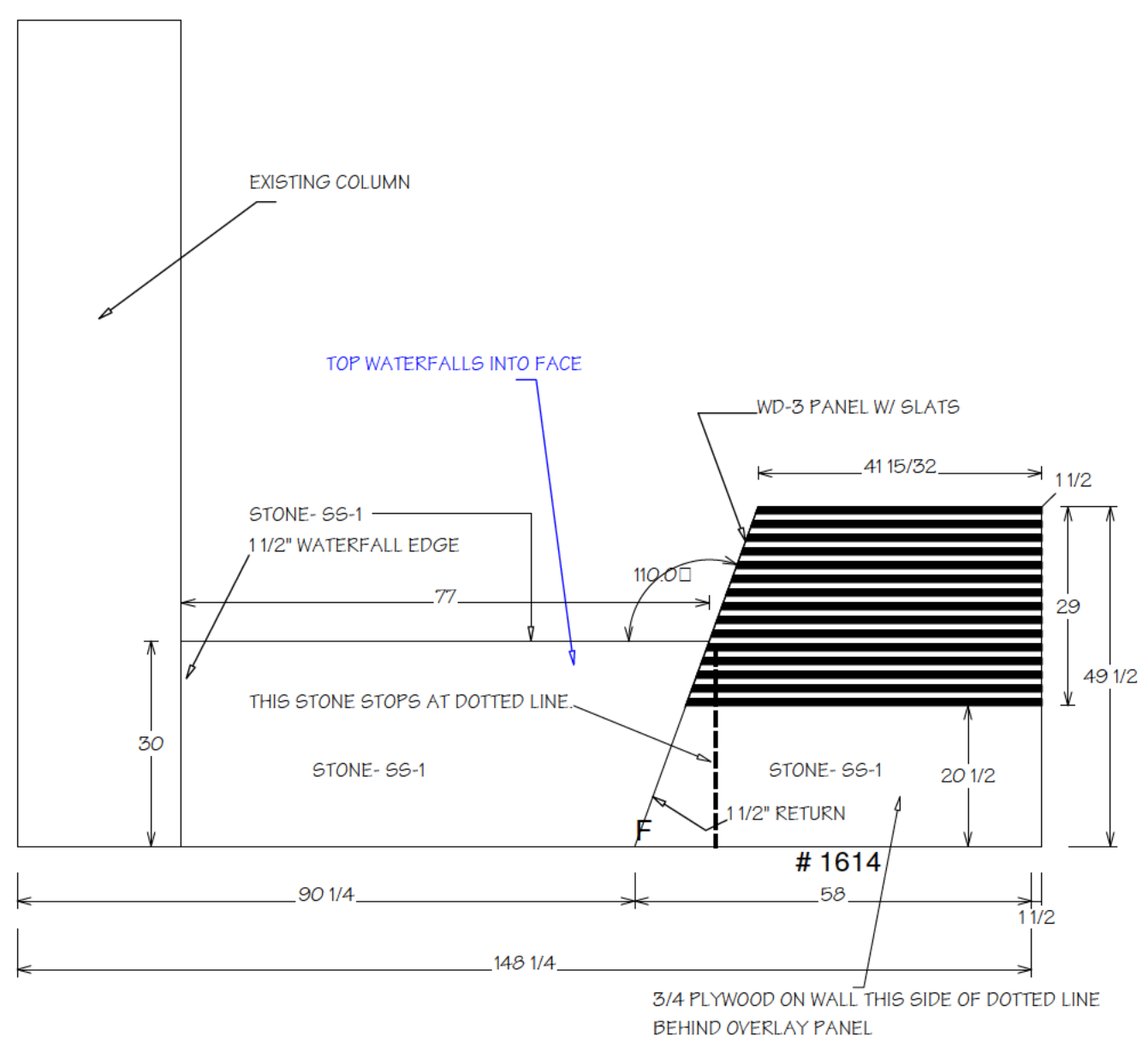
Name:		Scale:	Date:
Address:		3/4" = 1'	1
City:	State:		Sheet #
Job #:			Sheet 1.1



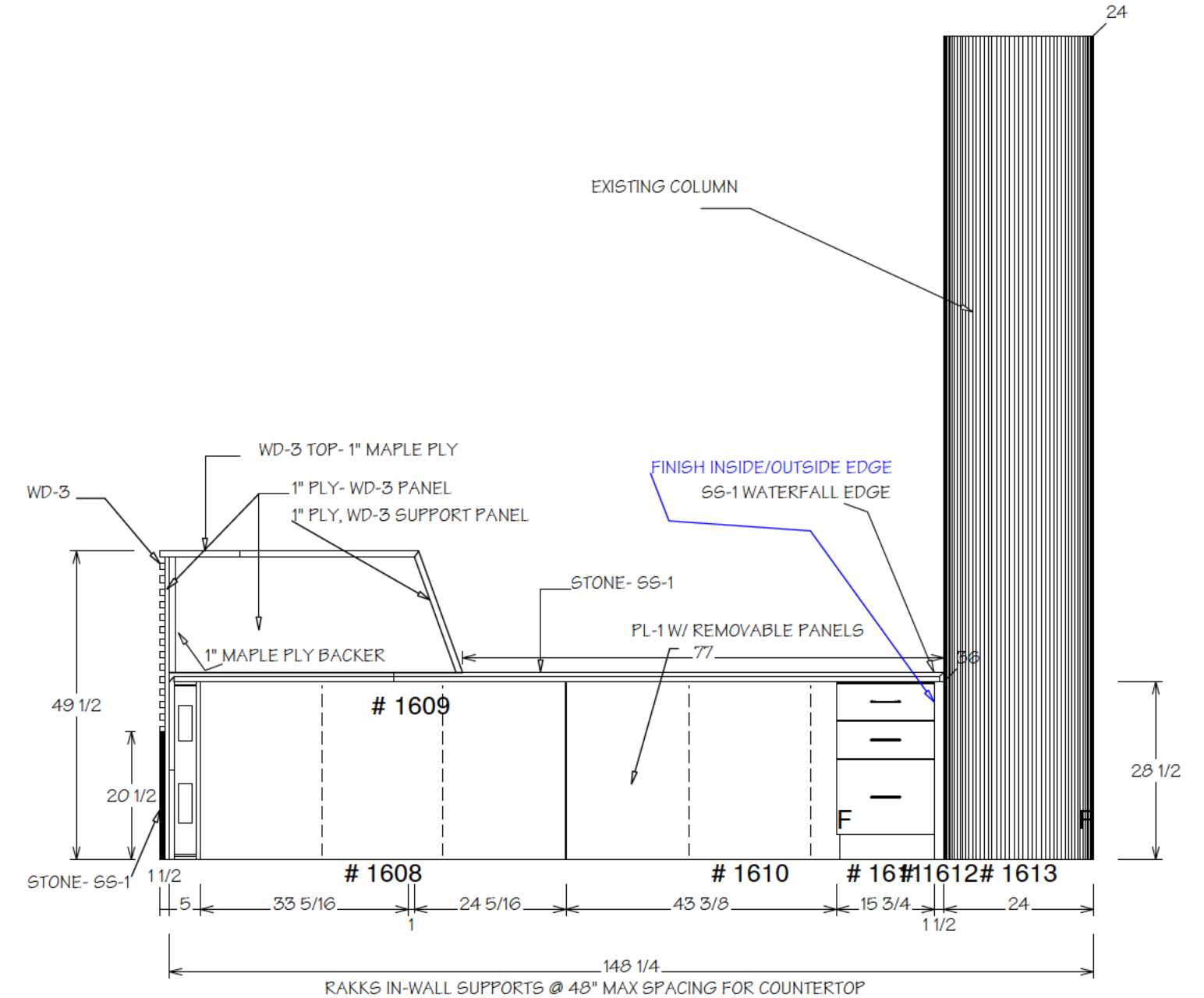
A  
 1  
 RECEPTION- FIX ELEVATION  
 Scale: 1/2" = 1'



A  
 3  
 RECEPTION ELEVATION  
 Scale: 1/2" = 1'



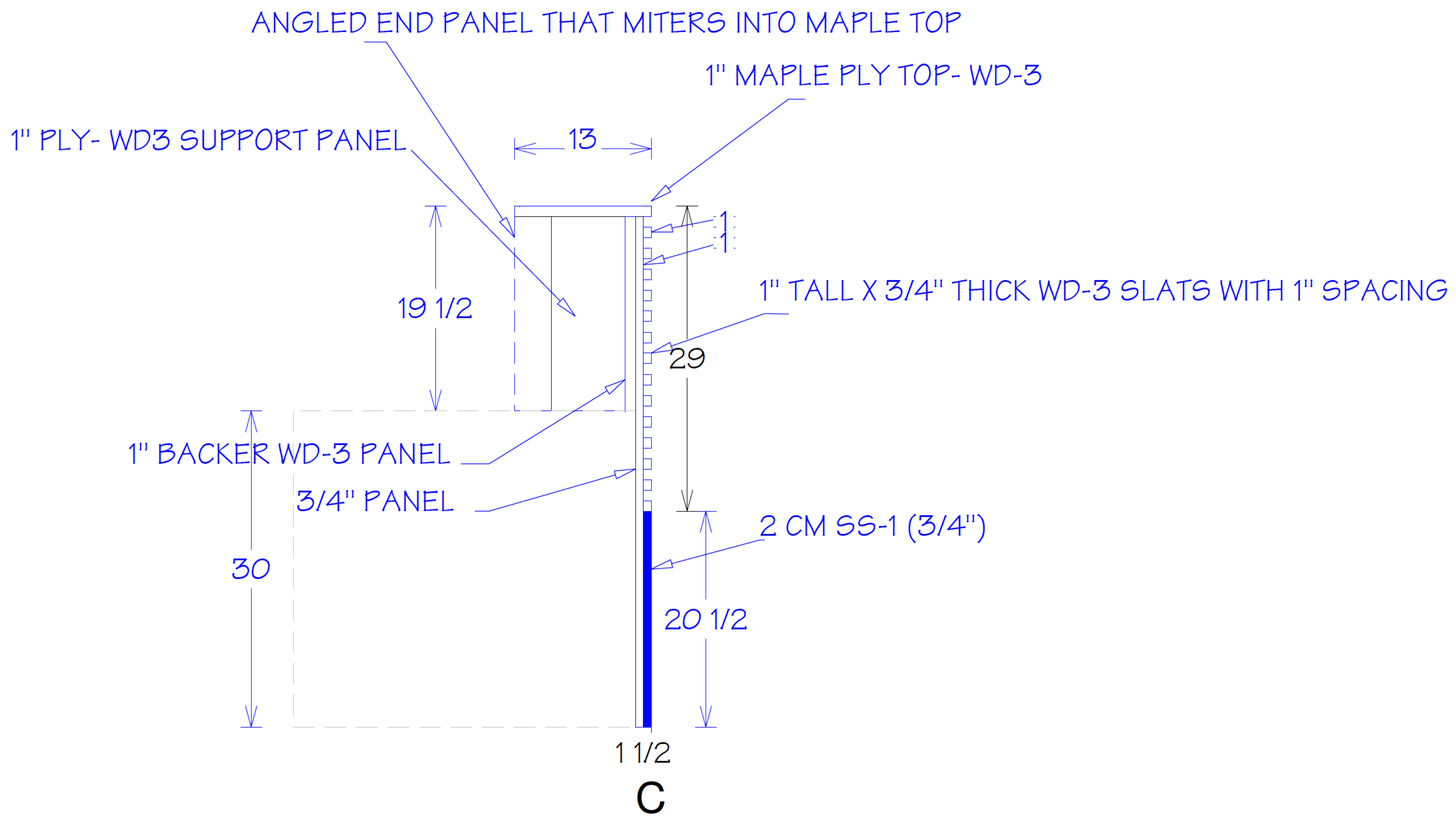
A  
 4  
 RECEPTION ELEVATION  
 Scale: 1/2" = 1'



A  
 2  
 RECEPTION ELEVATION  
 Scale: 1/2" = 1'

- Approved
- Rejected (As Noted)

Name:		Scale:	0	Date:	1
Address:		DWG. By:		Sheet #	
City:		State:		Sheet #	1.2
Job #:					

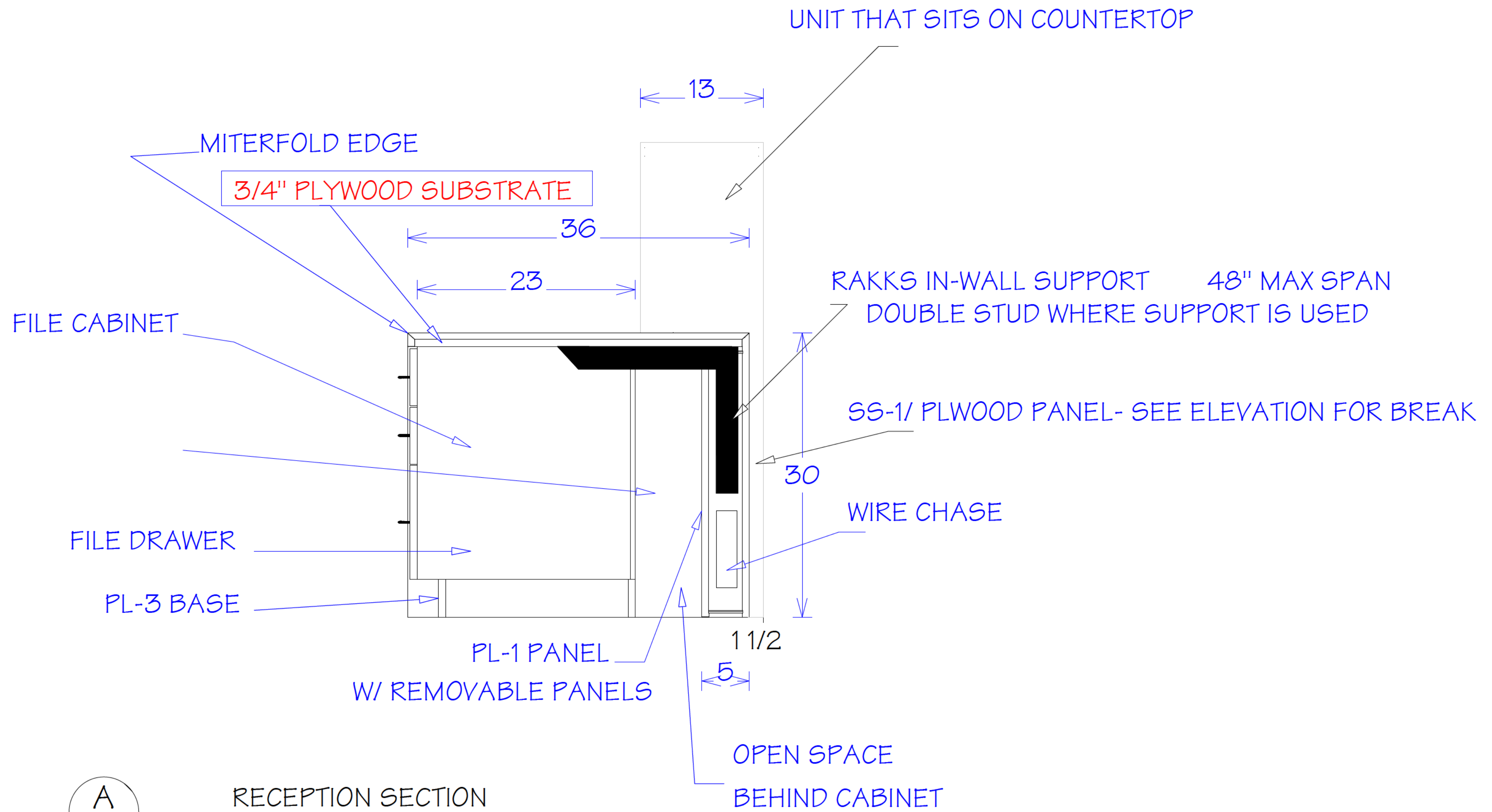


THIS UNIT WILL BE BUILT TO SIT ON TOP OF WALL AND STONE COUNTER TOP

Ⓐ  
1 RECEPTION SECTION  
Scale: 1 1/2" = 1'

- Approved
- Rejected (As Noted)

Name:		Scale:	Date: 1
Address:		0	
City:	State:		DWG. By:
Job #:			Sheet #
			Sheet 1.3



A

RECEPTION SECTION  
Scale: 1 1/2" = 1'

- Approved
- Rejected (As Noted)

Name:

Address:

City:

Job #:

Scale:

0

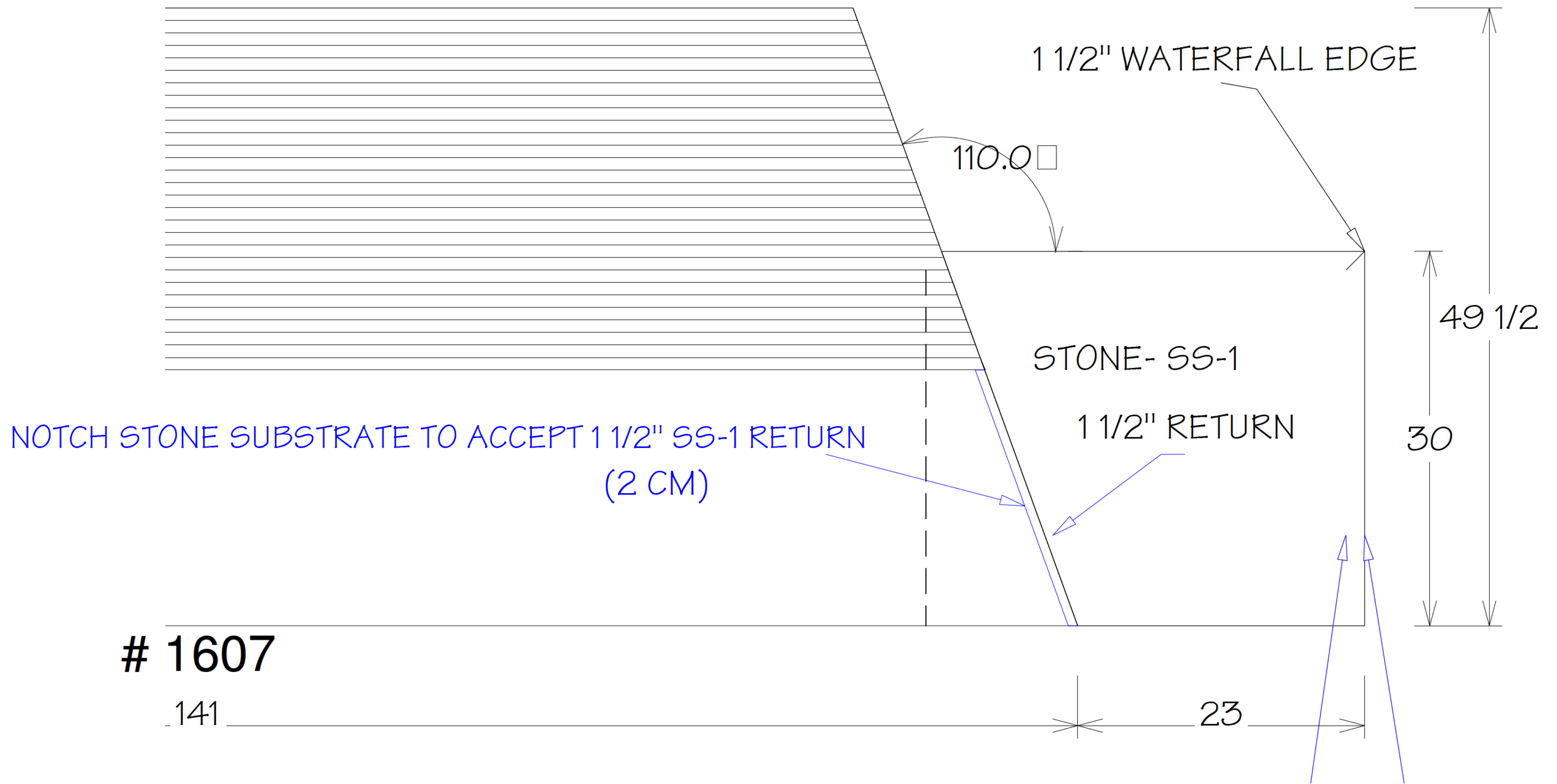
DWG. By:

Date: 1

Sheet #

Sheet 1.4

WD-3 PANEL W/ SLATS



NOTCH STONE SUBSTRATE TO ACCEPT 1 1/2" SS-1 RETURN  
(2 CM)

# 1607

.141

SUBSTRATE NOTCH DETAIL FOR BOTH SIDES

FINISH INSIDE/OUTSIDE EDGE  
OF BOTH WATERFALL EDGE

Approved

Rejected (As Noted)

Name:

Address:

City:

Job #:

Scale:

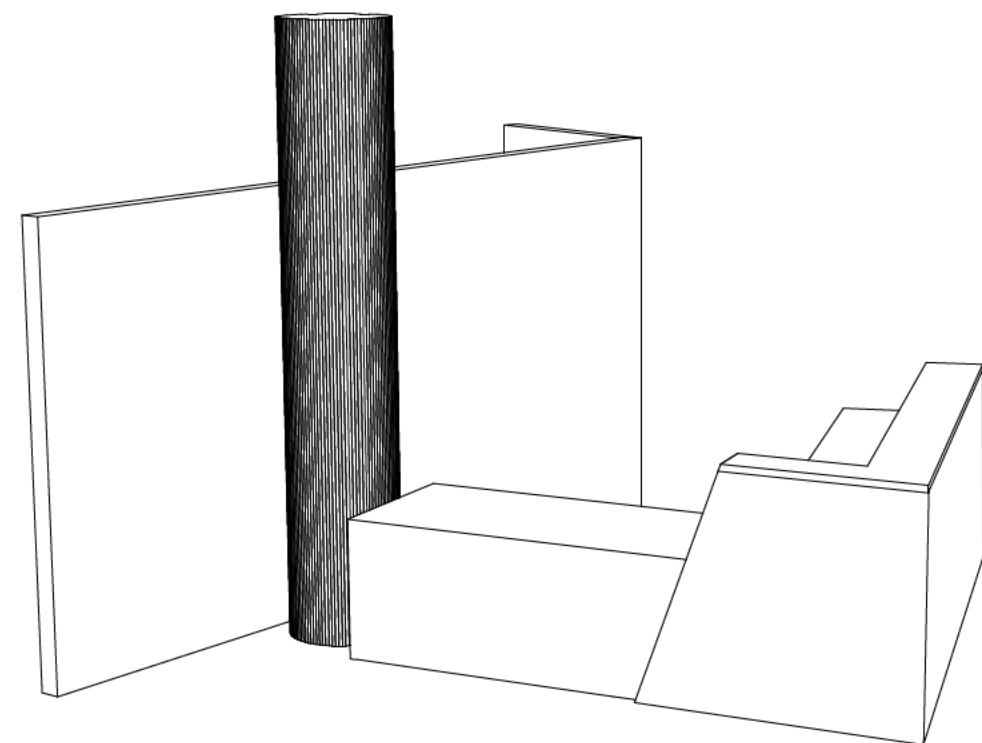
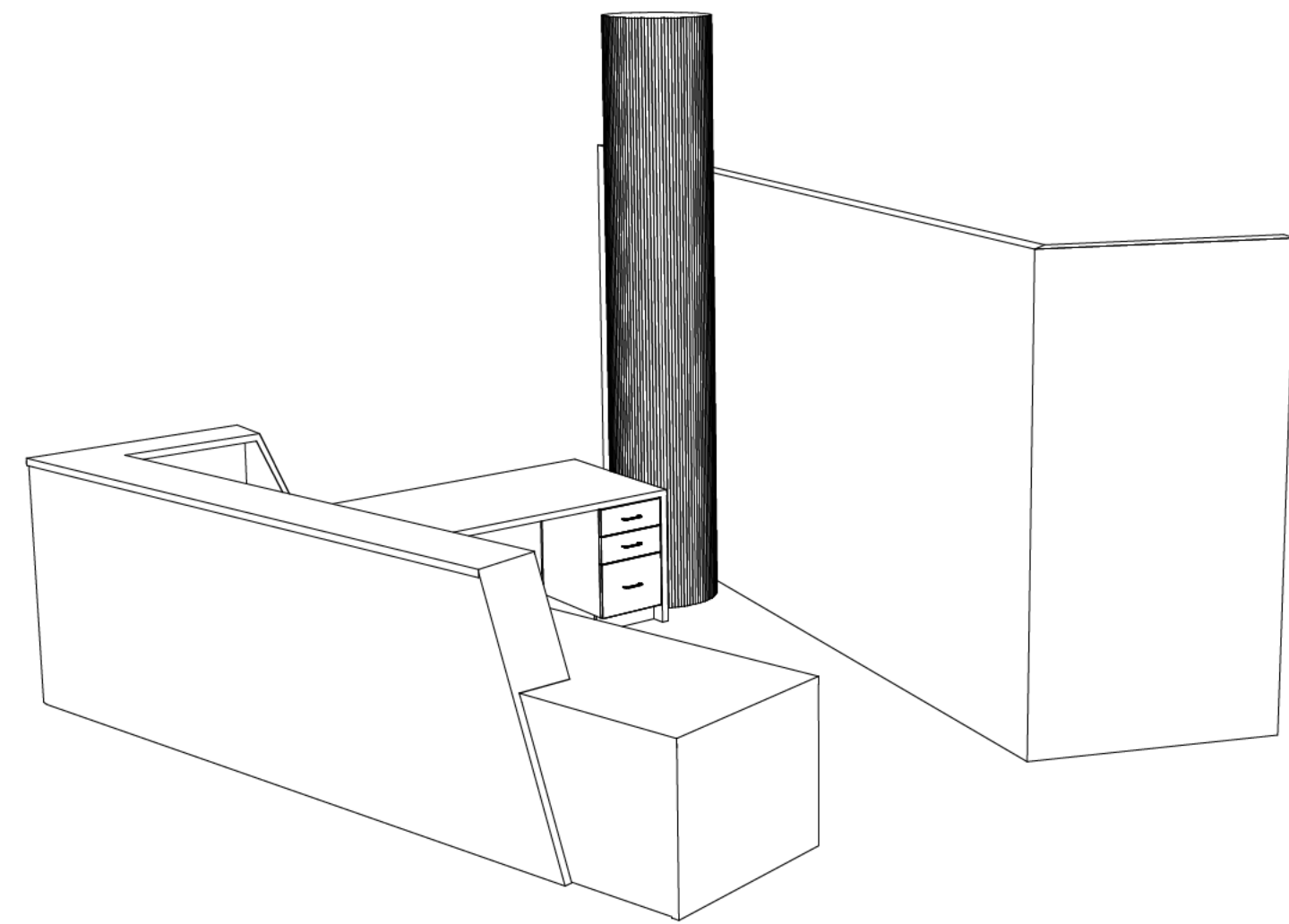
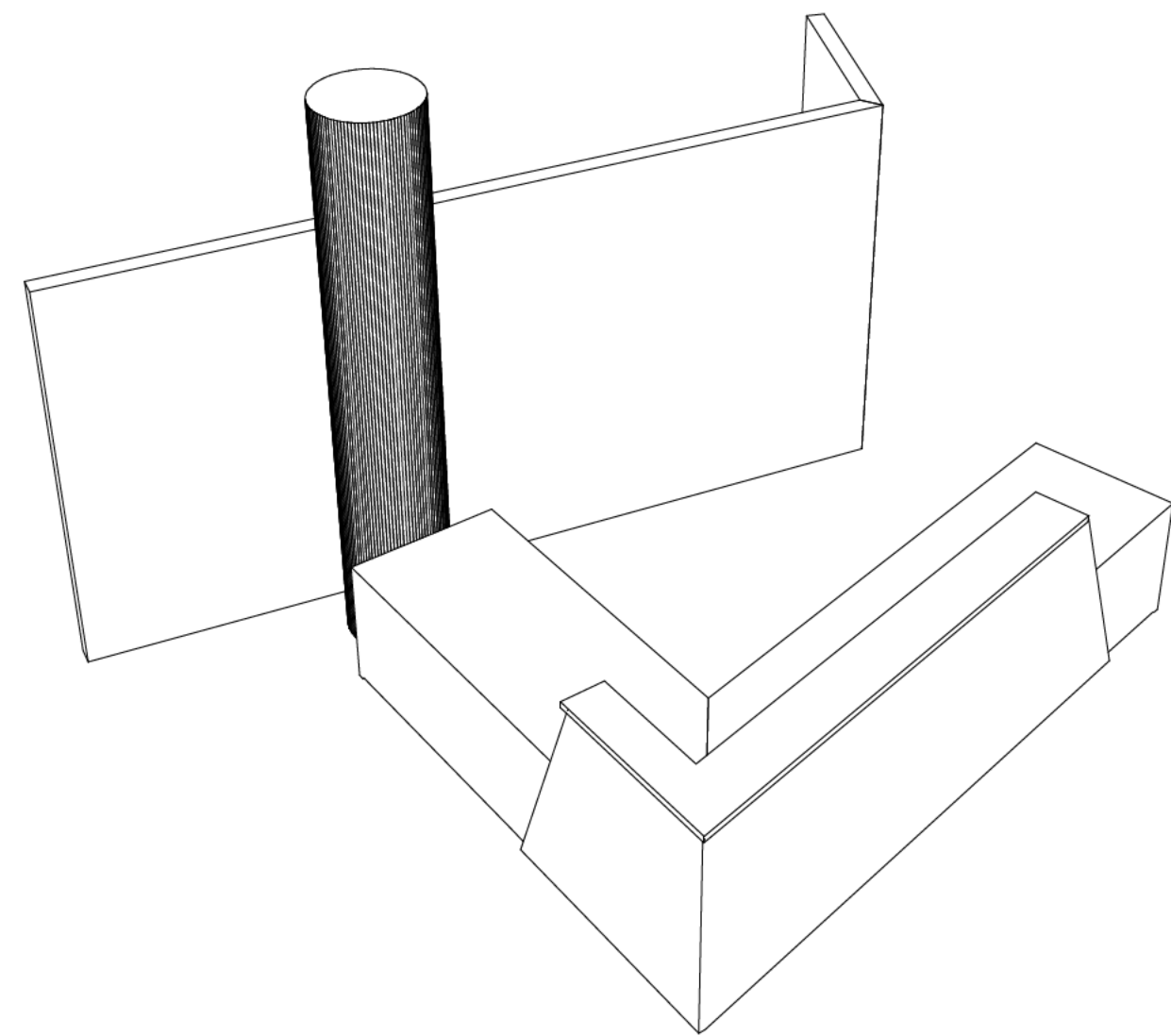
0

DWG. By:

Date: 1

Sheet #

Sheet 1.5



PERPECTIVE ONLY- USE FOR GENERAL SHAPE ONLY  
 SEE ELEVATION AND SECTION VIEWS FOR DETAILS

- Approved
- Rejected (As Noted)

Name:		Scale:	Date: 1
Address:		3/4" = 1'	Sheet #
City:	State:	DWG. By:	Sheet 1.7
Job #:			