

DETAIL "C"

6.05
6

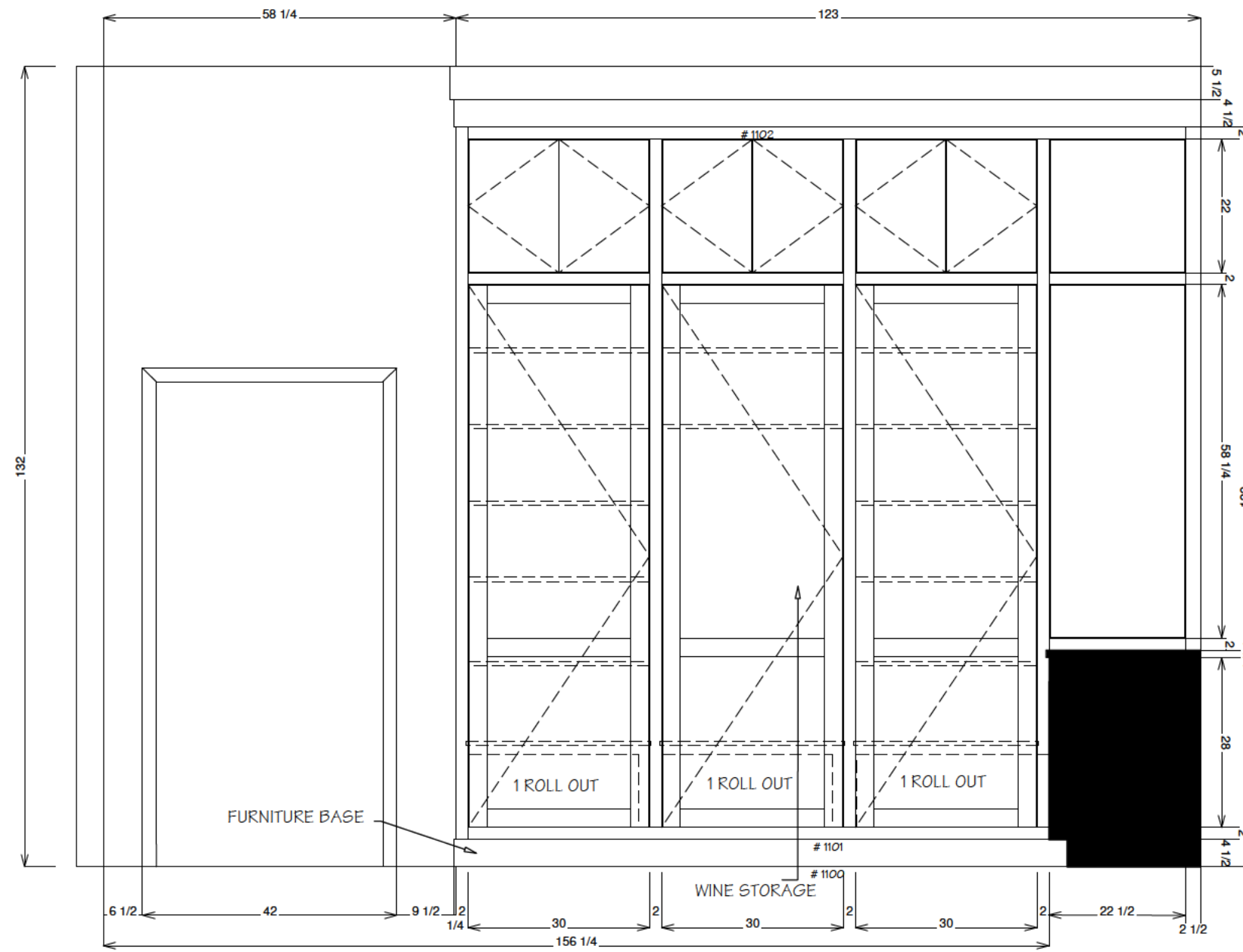
MUDROOM PLAN

Scale: 1/2" = 1'

Approved Furnish As Corrected

Revise And Resubmit

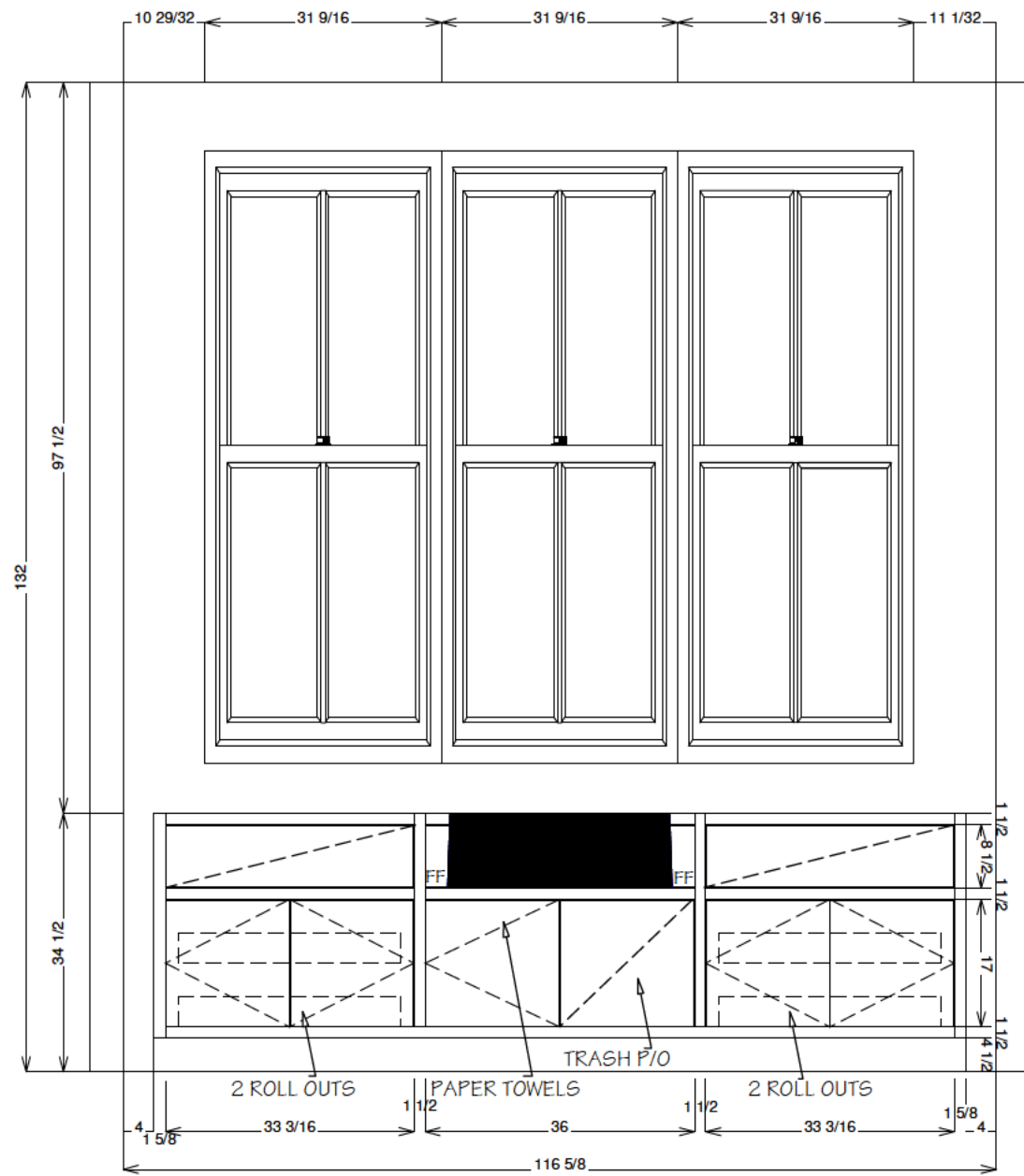
Name:		Title:	
Address:		Scale:	
City: CHARLOTTE	State: NC	Dwg By:	Sheet #
Job #:			Sheet 1



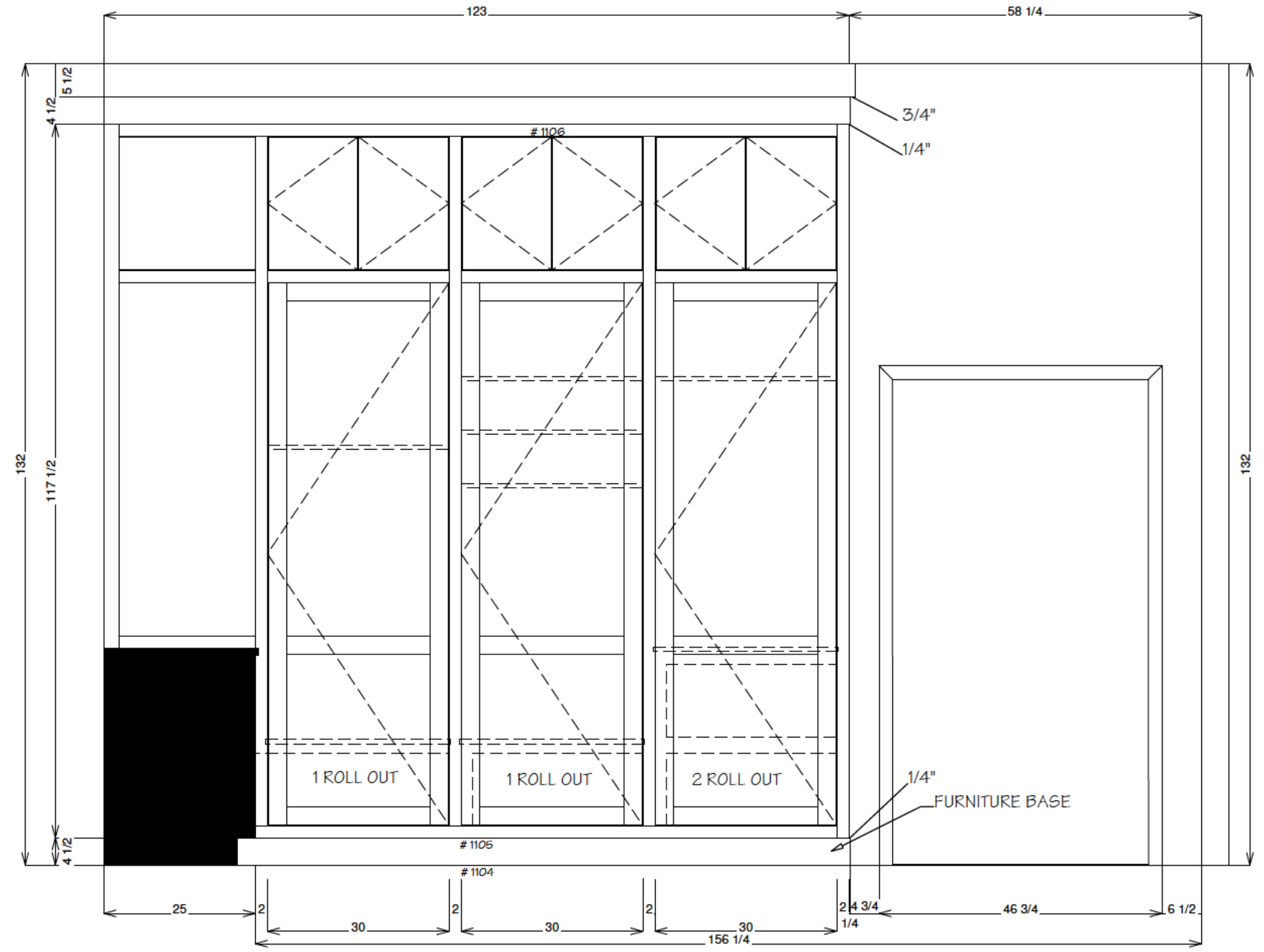
6.05
1 MUDROOM ELEVATION
Scale: 1/2" = 1'

- Approved
- Furnish As Corrected
- Revise And Resubmit

Name:		Title:	
Address:		Scale:	
City: CHARLOTTE	State: NC	Dwg By:	Sheet #
Job #:		Sheet 2	



6.05
2 MUDROOM ELEVATION
Scale: 1/2" = 1'

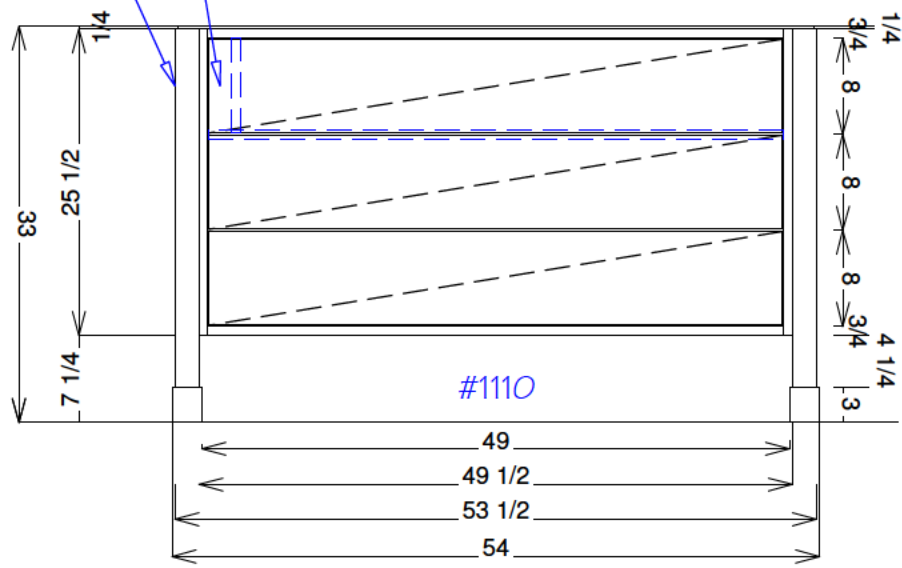


6.05
4 MUDROOM ELEVATION
Scale: 1/2" = 1'

- Approved
- Furnish As Corrected
- Revise And Resubmit

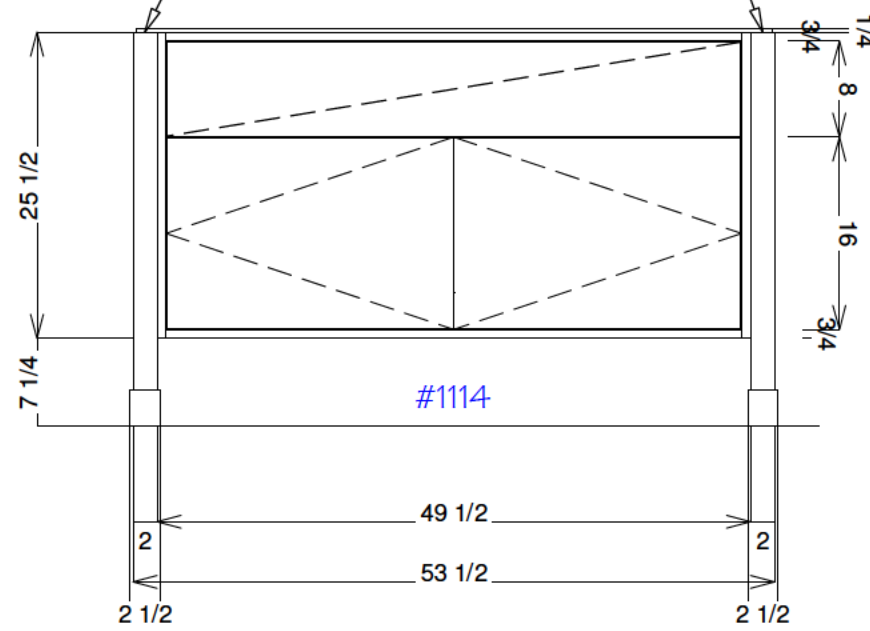
Name:		Title:	
Address:		Scale:	
City: CHARLOTTE	State: NC	Dwg By:	Sheet #
Job #:			Sheet 3

OUTLET CENTERED ON SIDE OF ISLAND
 POCKET BEHIND DRAWER FRONT FOR OUTLET

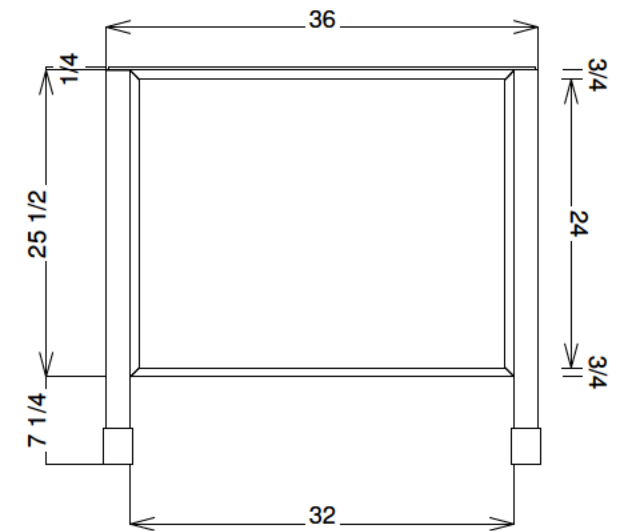


6.05
3.1 MUDROOM ELEVATION
Scale: 3/4" = 1'

LEGS ARE HOLLOW FOR WIRE CHASE



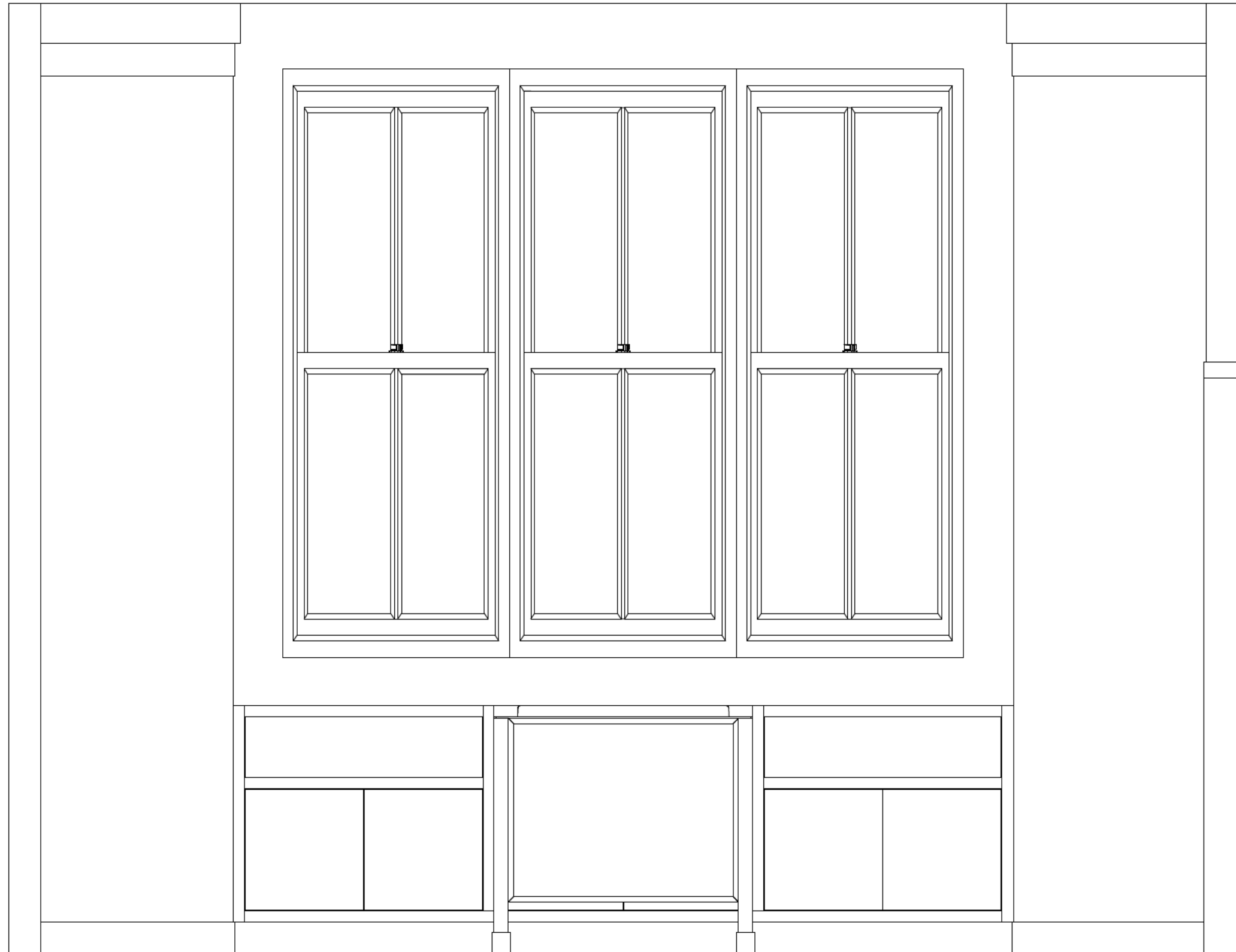
6.05
3.2 MUDROOM ELEVATION
Scale: 3/4" = 1'



6.05
3.3 MUDROOM ELEVATION
Scale: 3/4" = 1'

- Approved
- Furnish As Corrected
- Revise And Resubmit

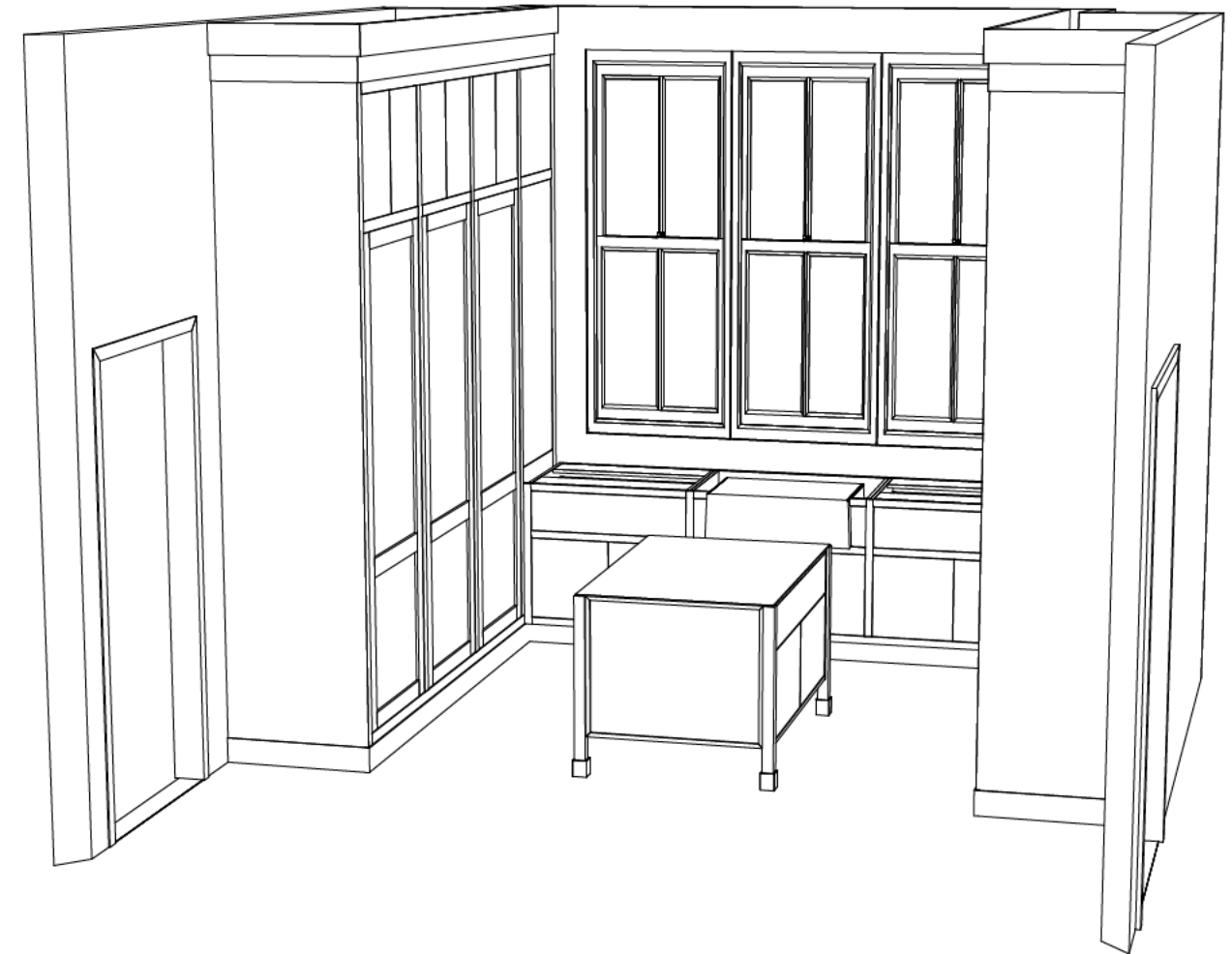
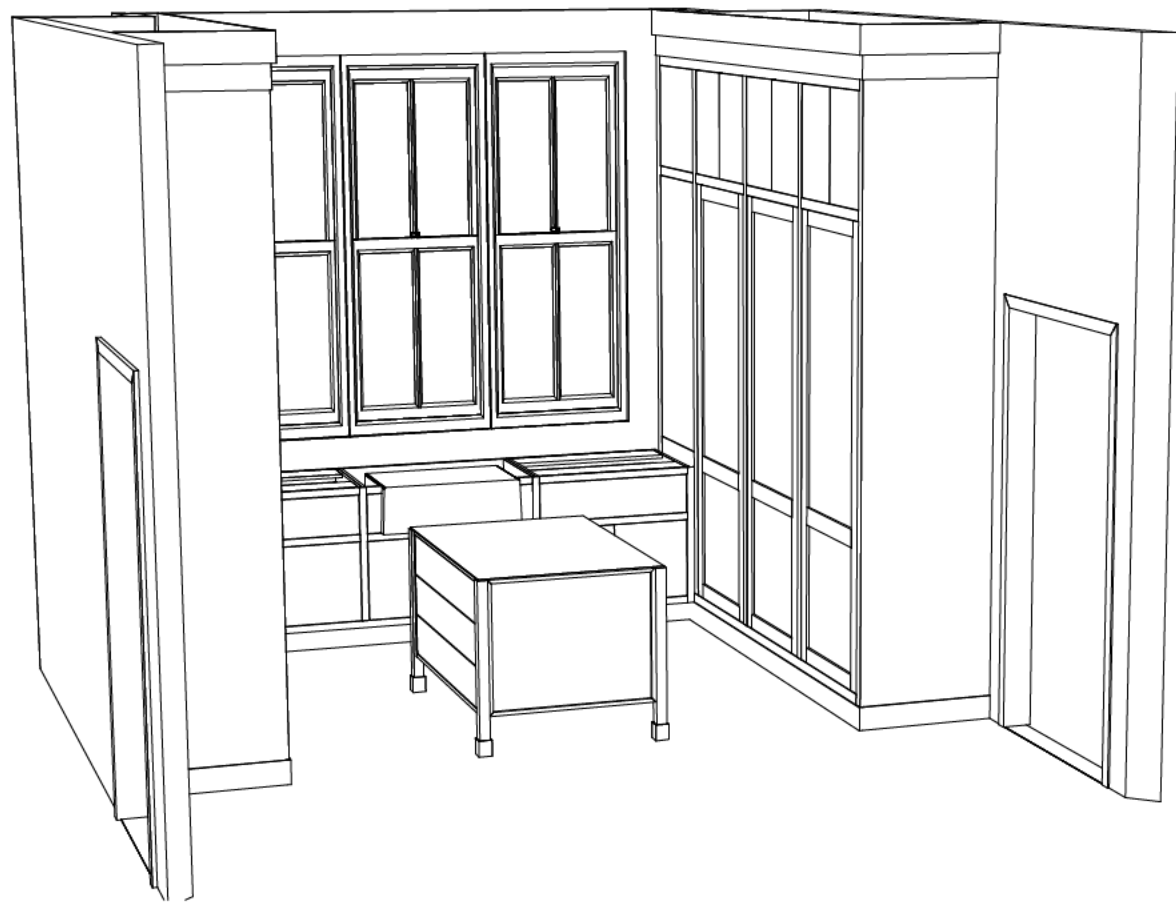
Name:		Title:	
Address:		Scale:	
City: CHARLOTTE	State: NC	Dwg By:	Sheet #
Job #:		Sheet 4	



6.05
6
MUDROOM SECTION
Scale: 3/4" = 1'

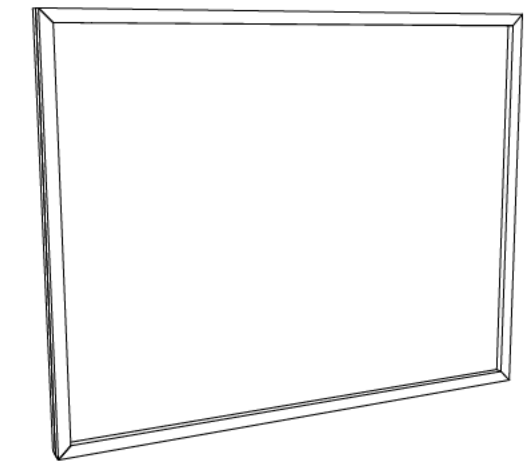
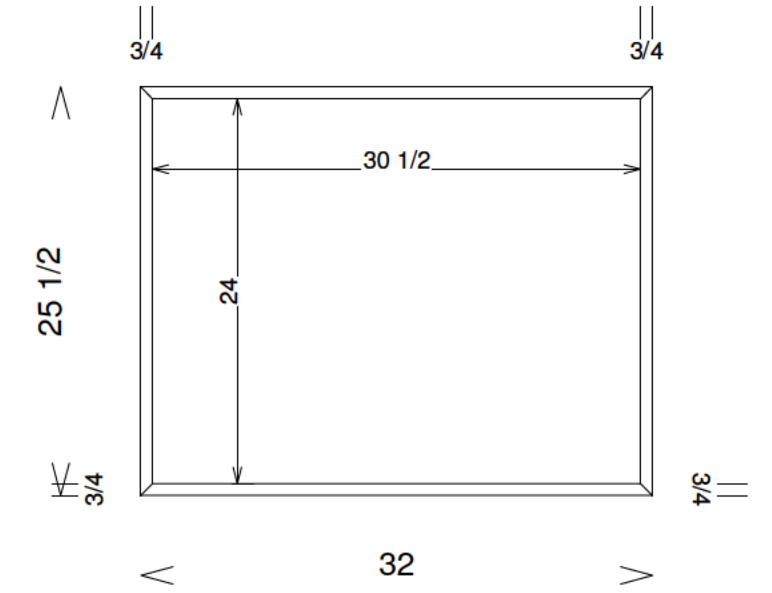
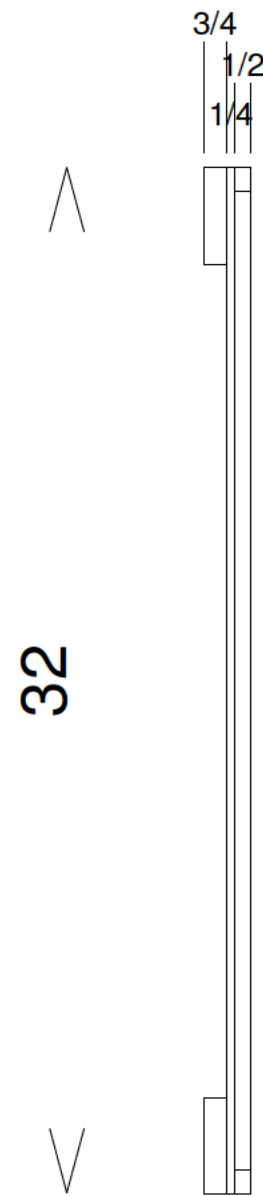
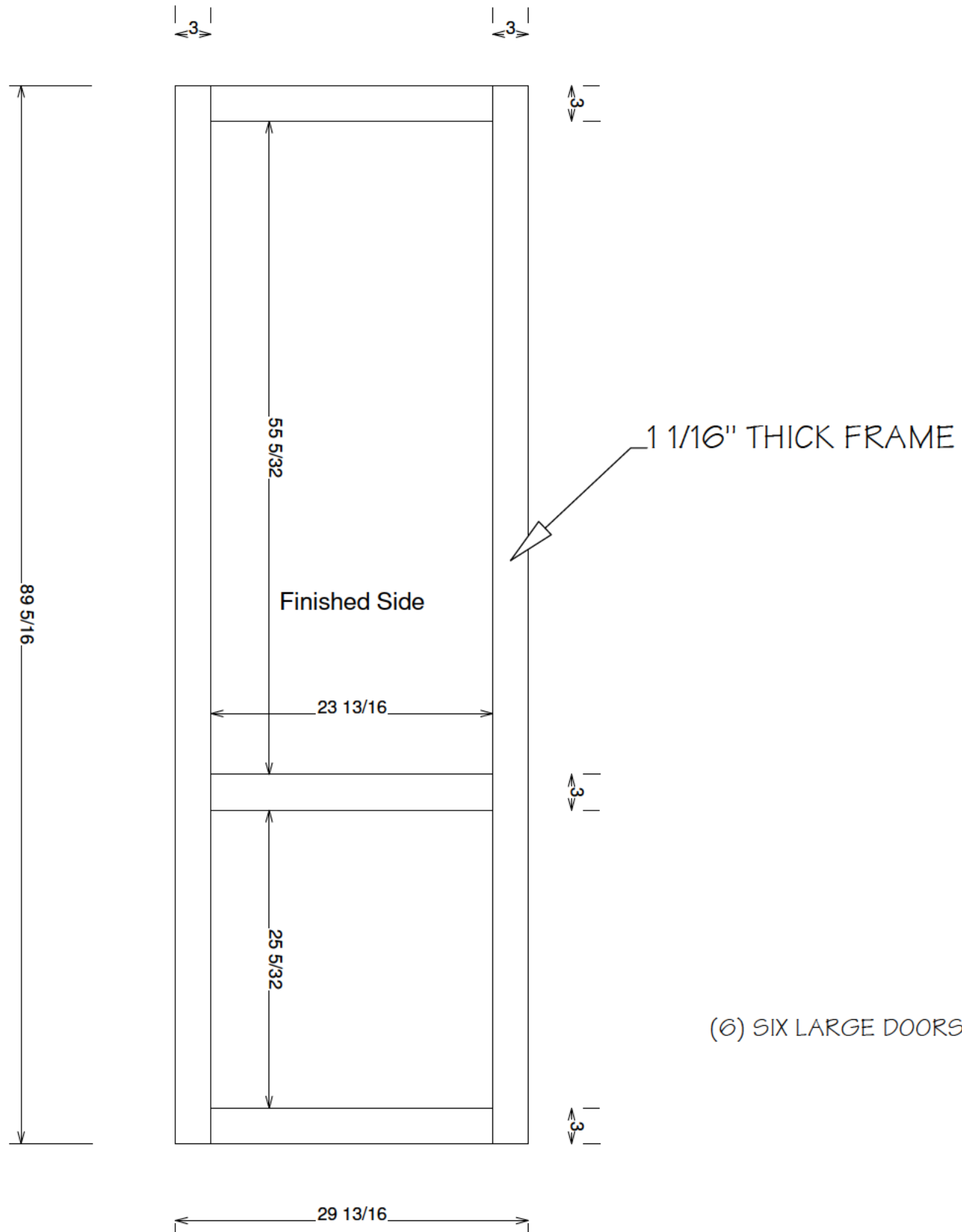
- Approved
- Furnish As Corrected
- Revise And Resubmit

Name:		Title:	
Address:		Scale:	
City: CHARLOTTE	State: NC	Dwg By:	Sheet #
Job #:			Sheet 5



- Approved Furnish As Corrected
- Revise And Resubmit

Name:		Title:	
Address:		Scale:	
City: CHARLOTTE	State: NC	Dwg By:	Sheet #
Job #:			Sheet 6



MAKE (2) ISLAND END PANELS

- Approved
- Furnish As Corrected
- Revise And Resubmit

Name:		Title:	
Address:		Scale:	
City: CHARLOTTE	State: NC	Dwg By:	Sheet #
Job #:			Sheet 7