

6.04
5

KITCHEN PLAN
Scale: 1/2" = 1'

Approved

Rejected (As Noted)

Name:

Address:

City:

Job #:

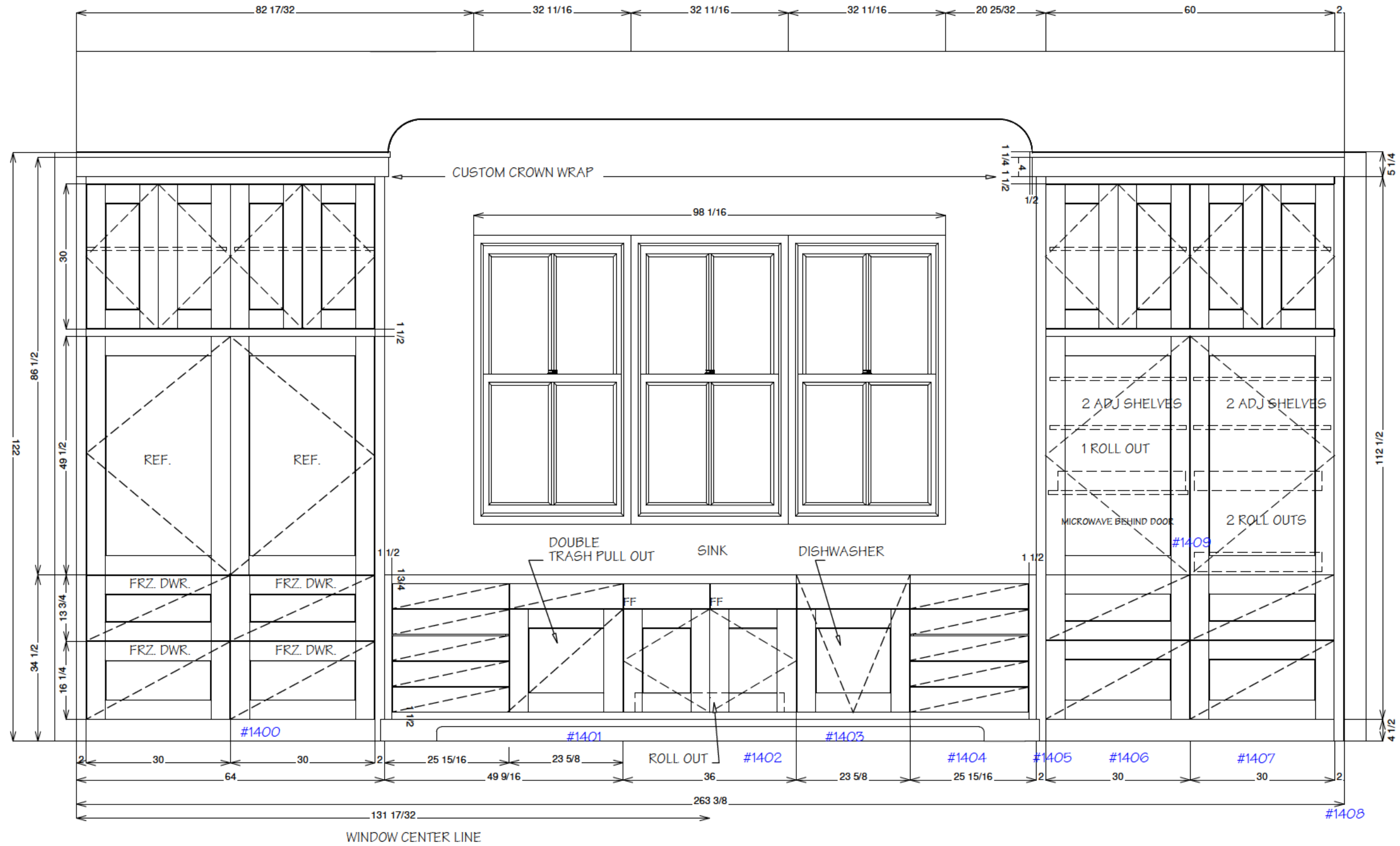
Title: KITCHEN

Scale:

Dwg By:

Sheet #

Sheet 1

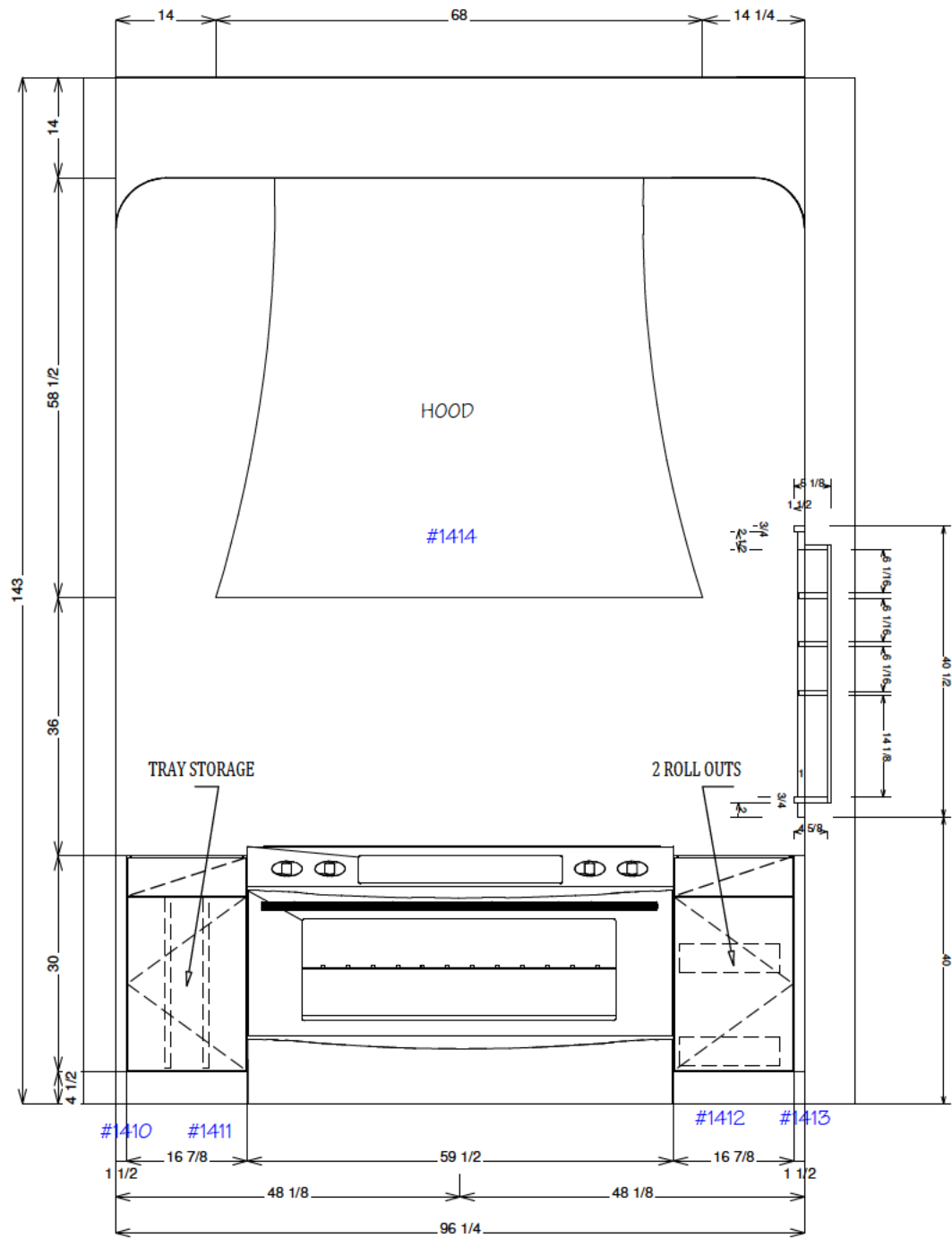


6.04
2

KITCHEN ELEVATION
Scale: 1/2" = 1'

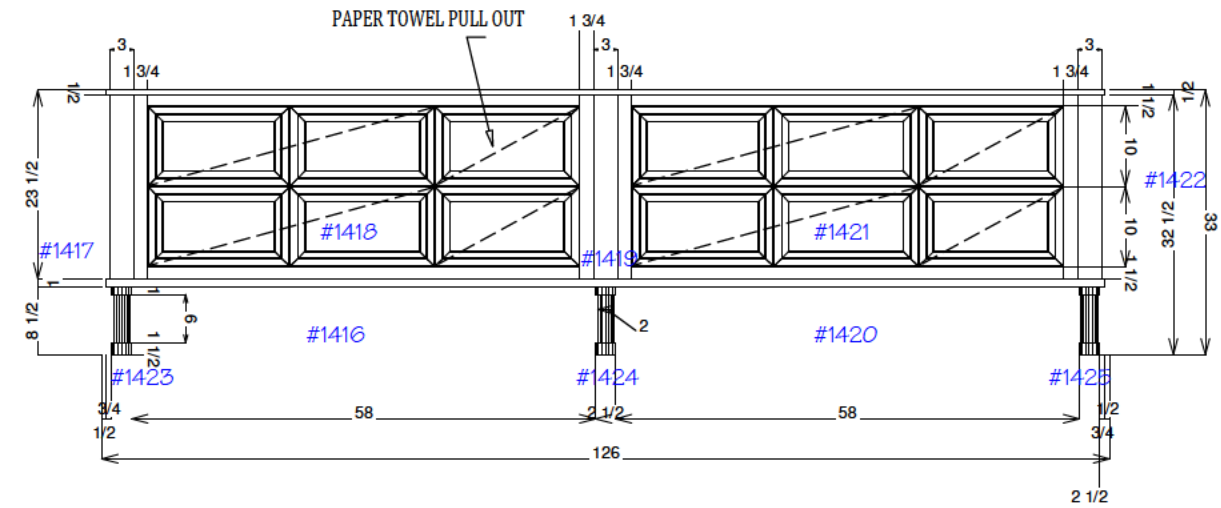
- Approved
- Rejected (As Noted)

Name:		Title: KITCHEN	
Address:		Scale:	
City:	State:	Dwg By:	Sheet #
Job #:			Sheet 2



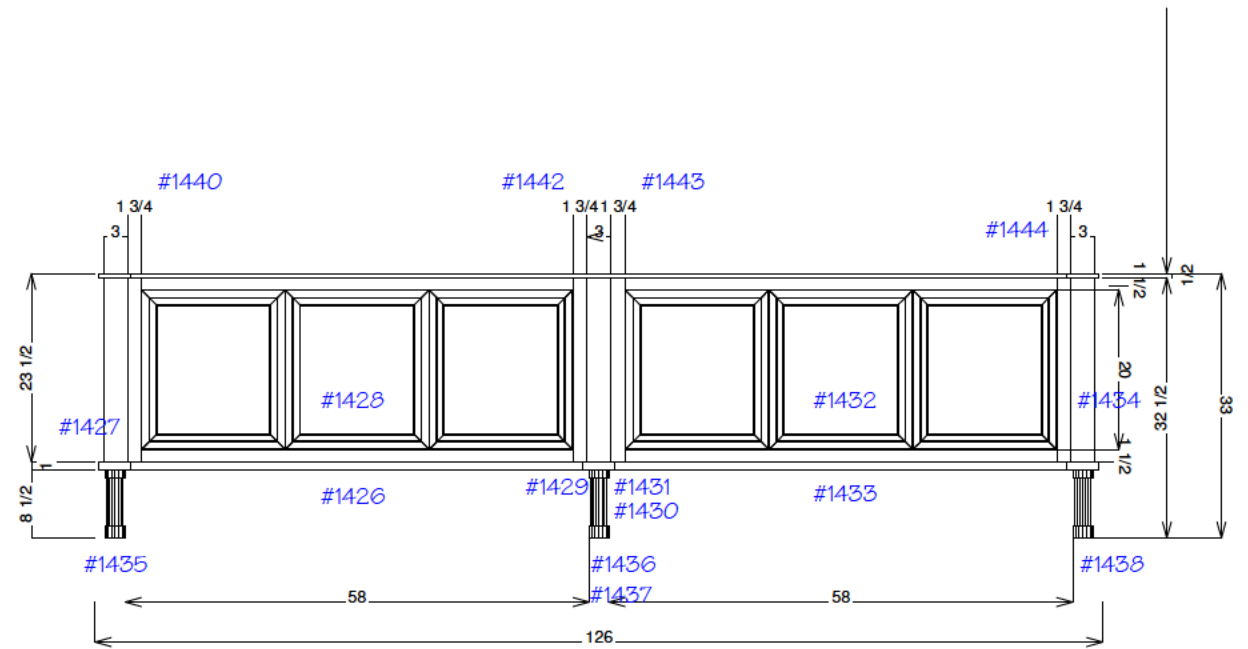
6.04
4

KITCHEN ELEVATION
Scale: 1/2" = 1'



6.04
6.1

KITCHEN ELEVATION
Scale: 1/2" = 1'



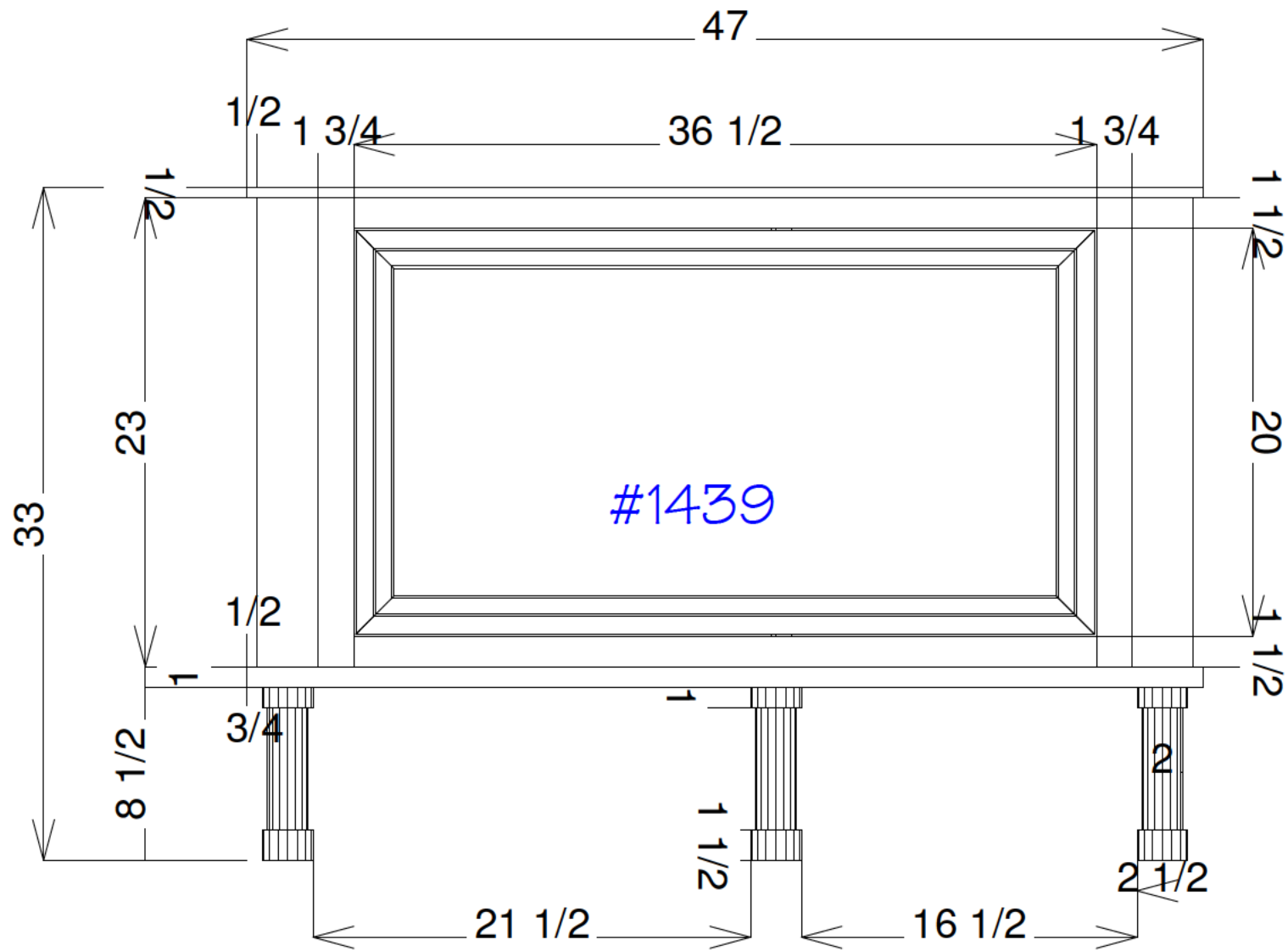
6.04
6.2

KITCHEN ELEVATION
Scale: 1/2" = 1'

Approved

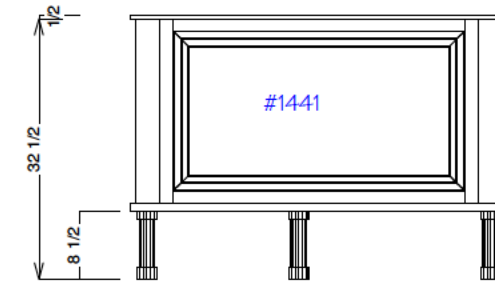
Rejected (As Noted)

Name:		Title: KITCHEN	
Address:		Scale:	
City:	State:	Dwg By:	Sheet #
Job #:			Sheet 3



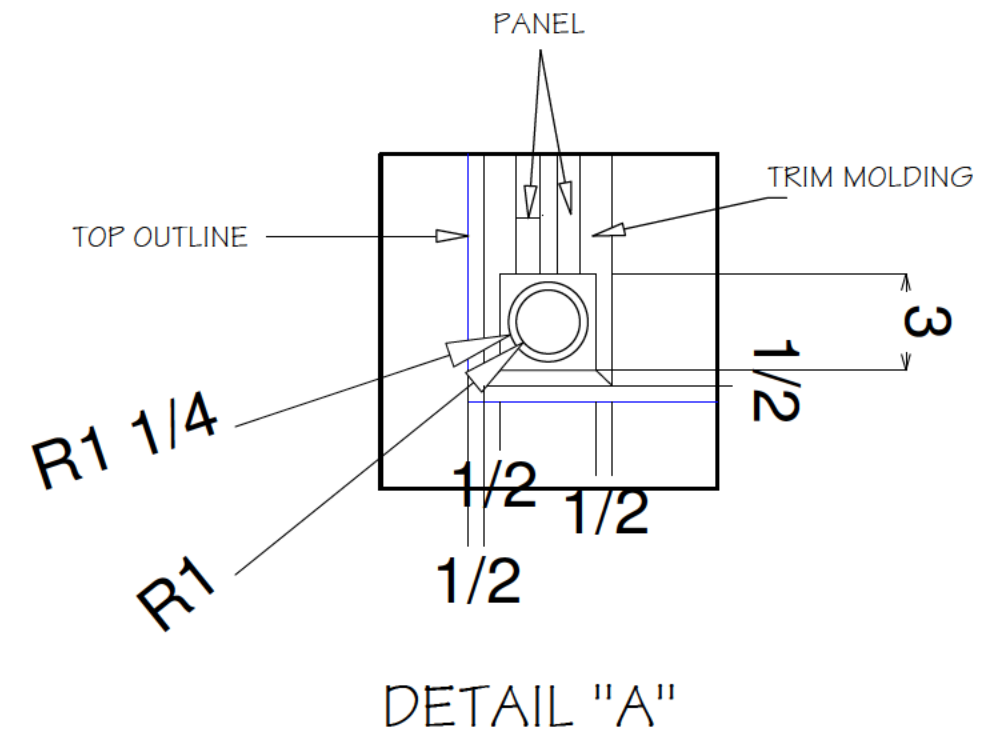
6.04
6.3

ELEVATION
Scale: 1 1/2" = 1'



6.04
6.4

ELEVATION
Scale: 1/2" = 1'

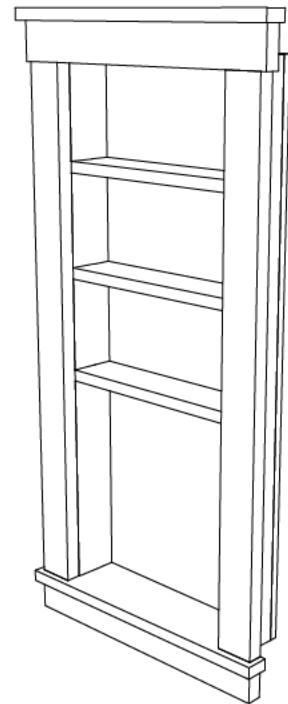
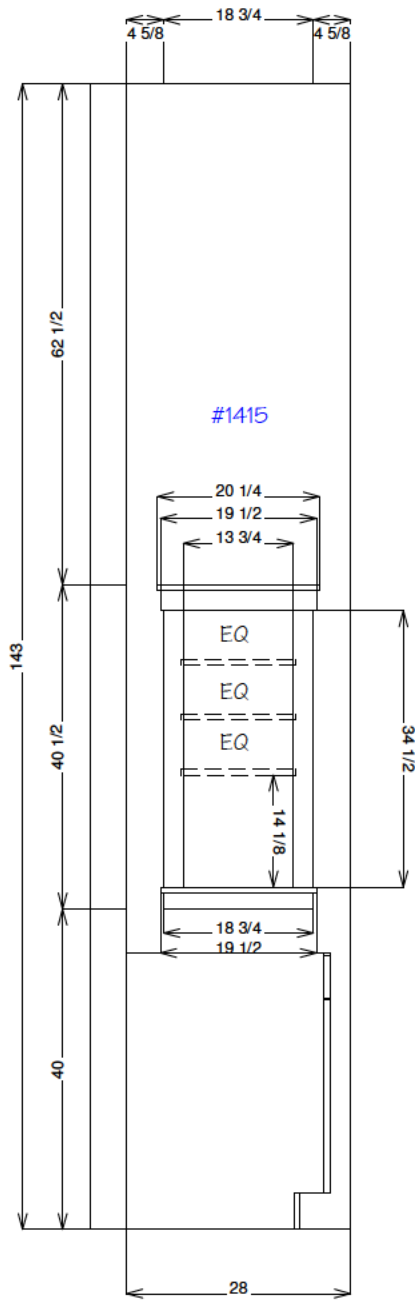


DETAIL "A"

Approved

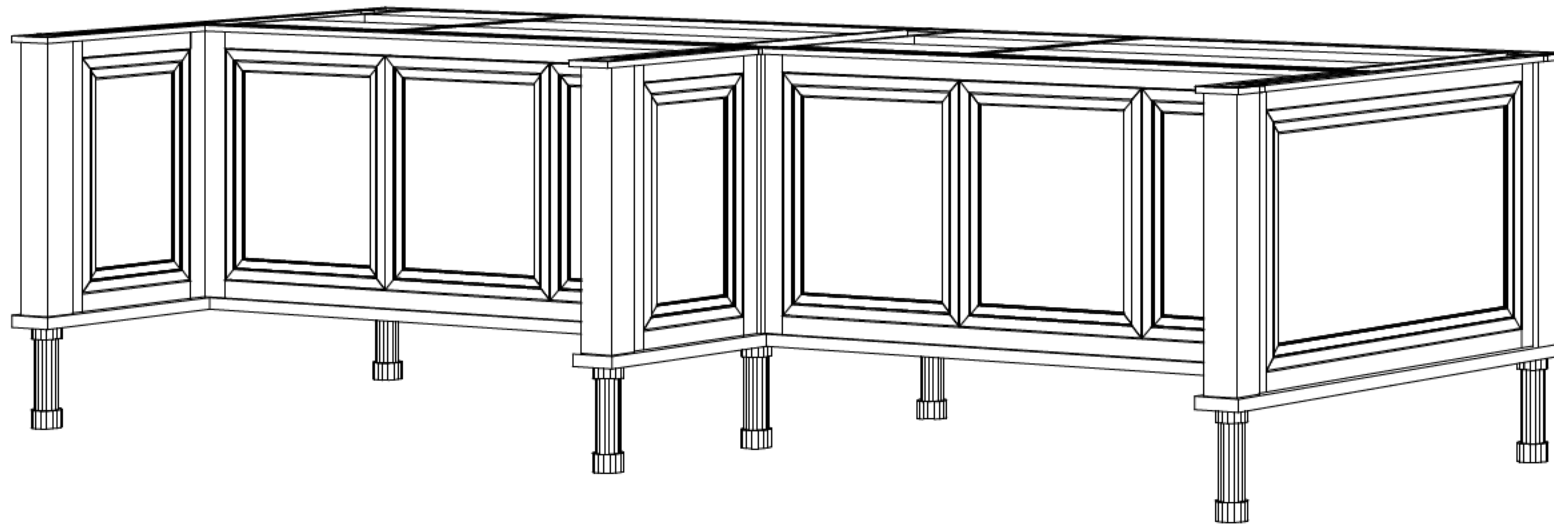
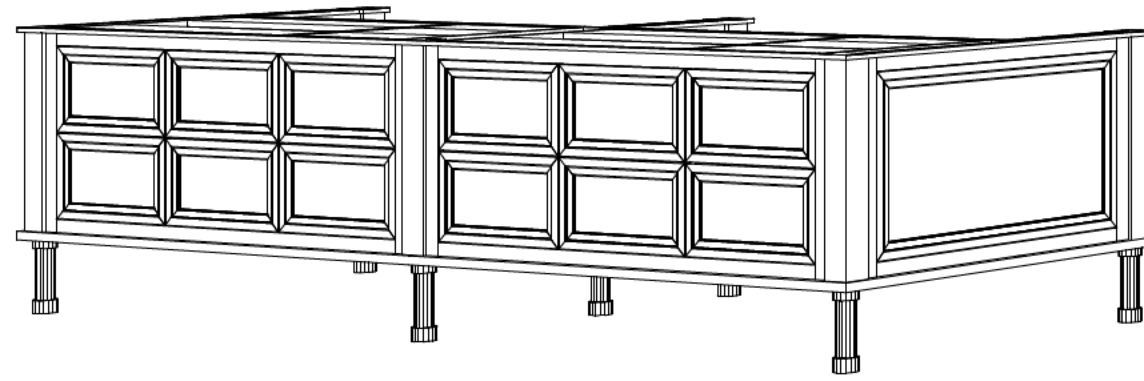
Rejected (As Noted)

Name:		Title: KITCHEN	
Address:		Scale:	
City:	State:	Dwg By:	Sheet #
Job #:			Sheet 4



6.04
3.1

KITCHEN ELEVATION
Scale: 1/2" = 1'



6.04
5

ISLAND PERSPECTIVE
Scale: 1 1/2" = 1'

Approved

Rejected (As Noted)

Name:

Address:

City:

Job #:

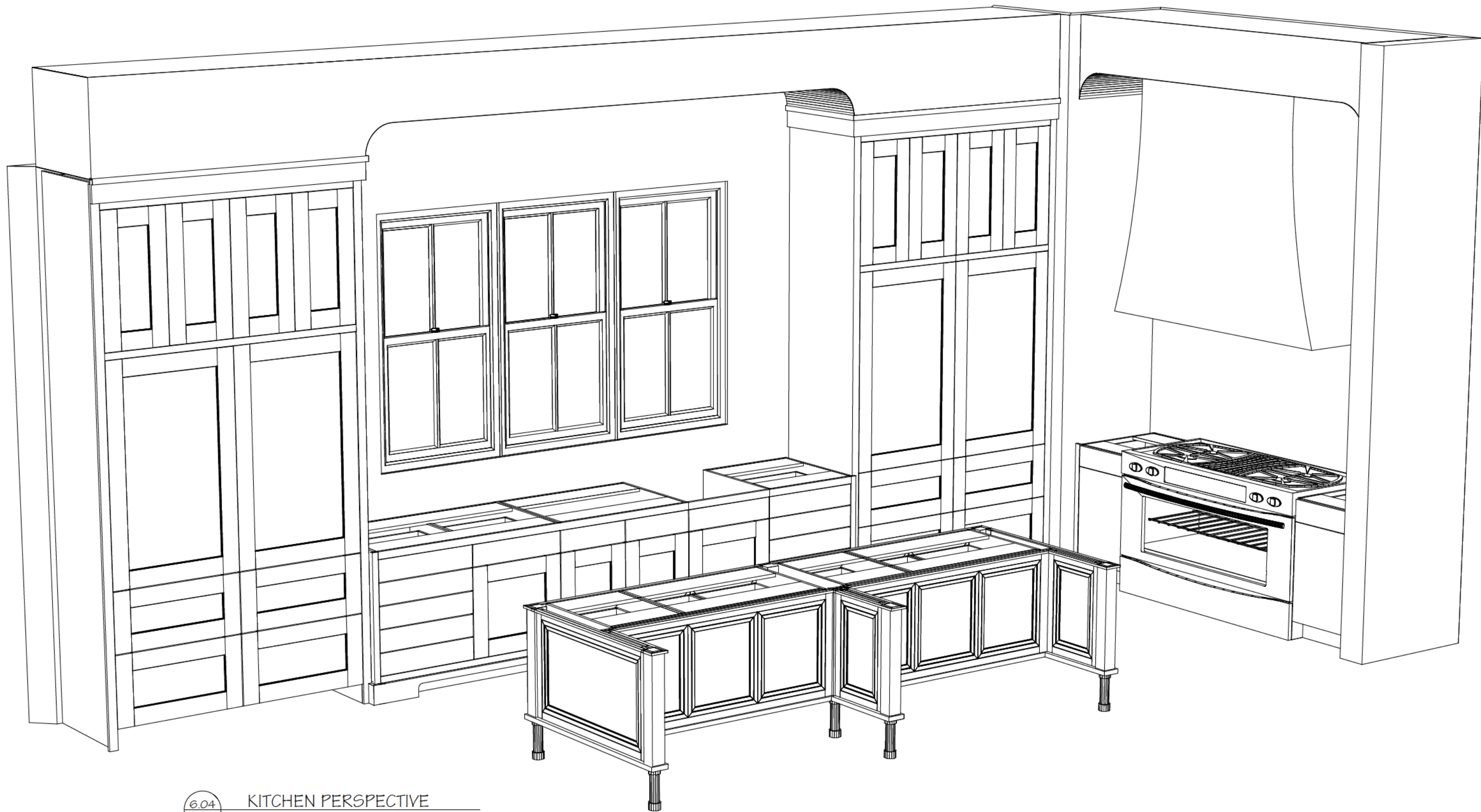
Title: KITCHEN

Scale:

Dwg By:

Sheet #

Sheet 5



6.04
5

KITCHEN PERSPECTIVE
Scale: 1 1/2" = 1'

Approved

Rejected (As Noted)

Name:

Address:

City:

Job #:

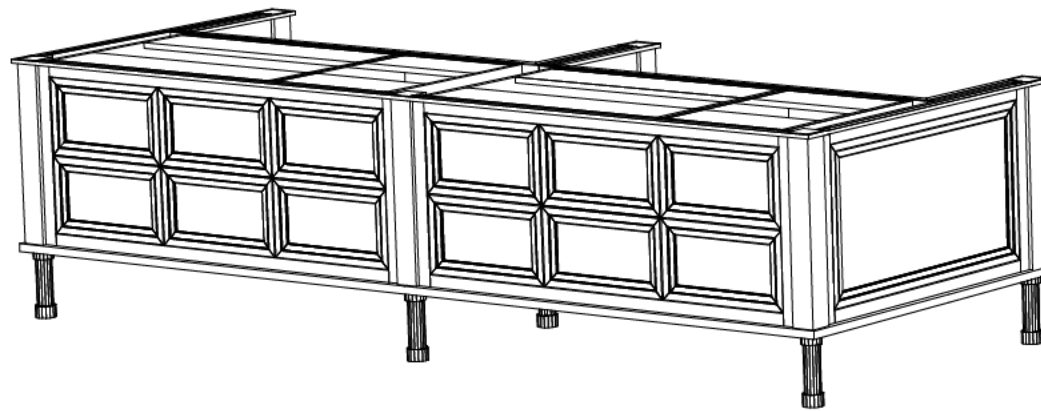
Title: KITCHEN

Scale:

Dwg By:

Sheet #

Sheet 6



6.04
5

KITCHEN PERSPECTIVE
Scale: 1 1/2" = 1'

Approved

Rejected (As Noted)

Name:		Title: KITCHEN	
Address:		Scale:	
City:	State:	Dwg By:	Sheet #
Job #:			Sheet 7