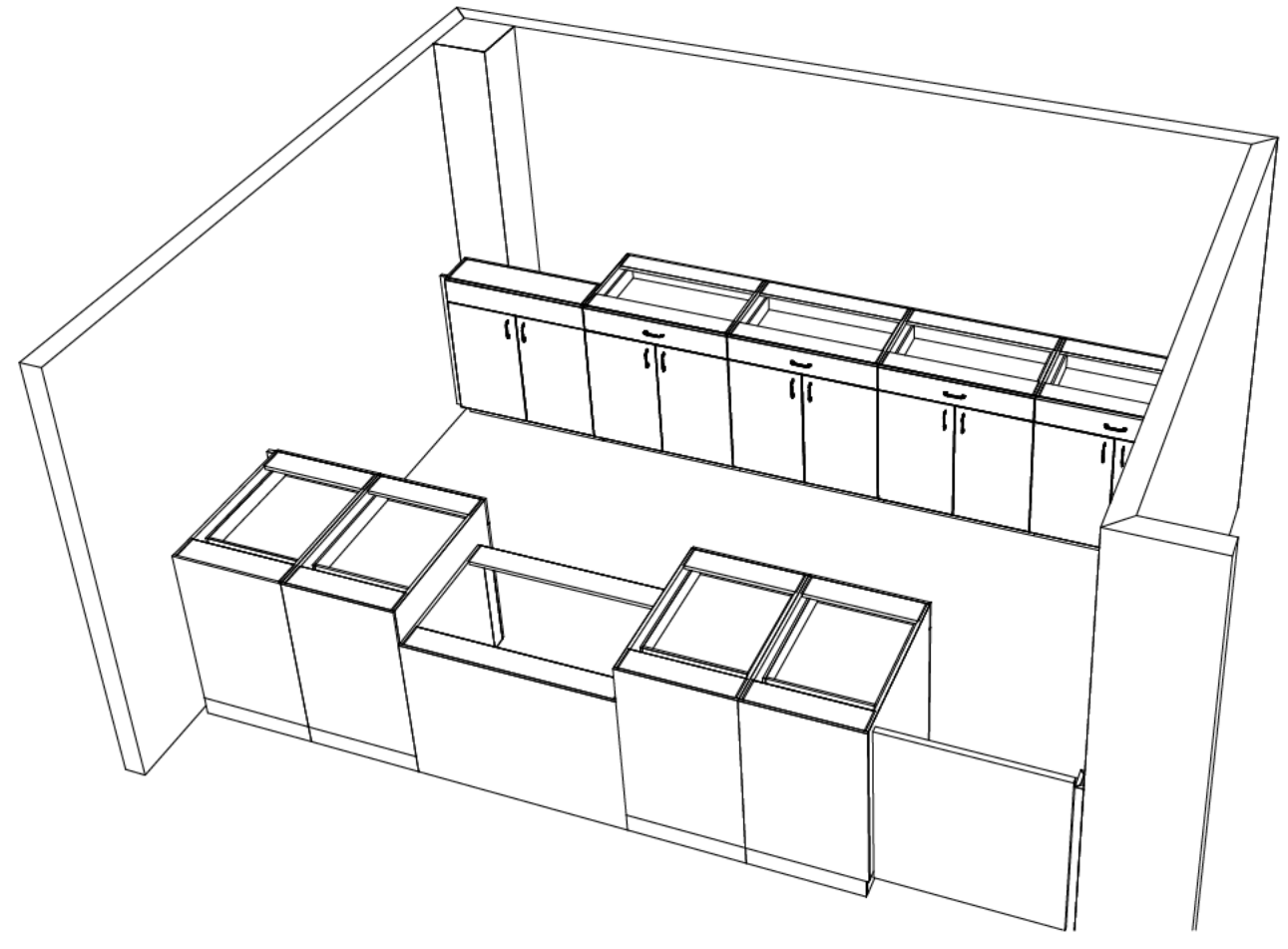


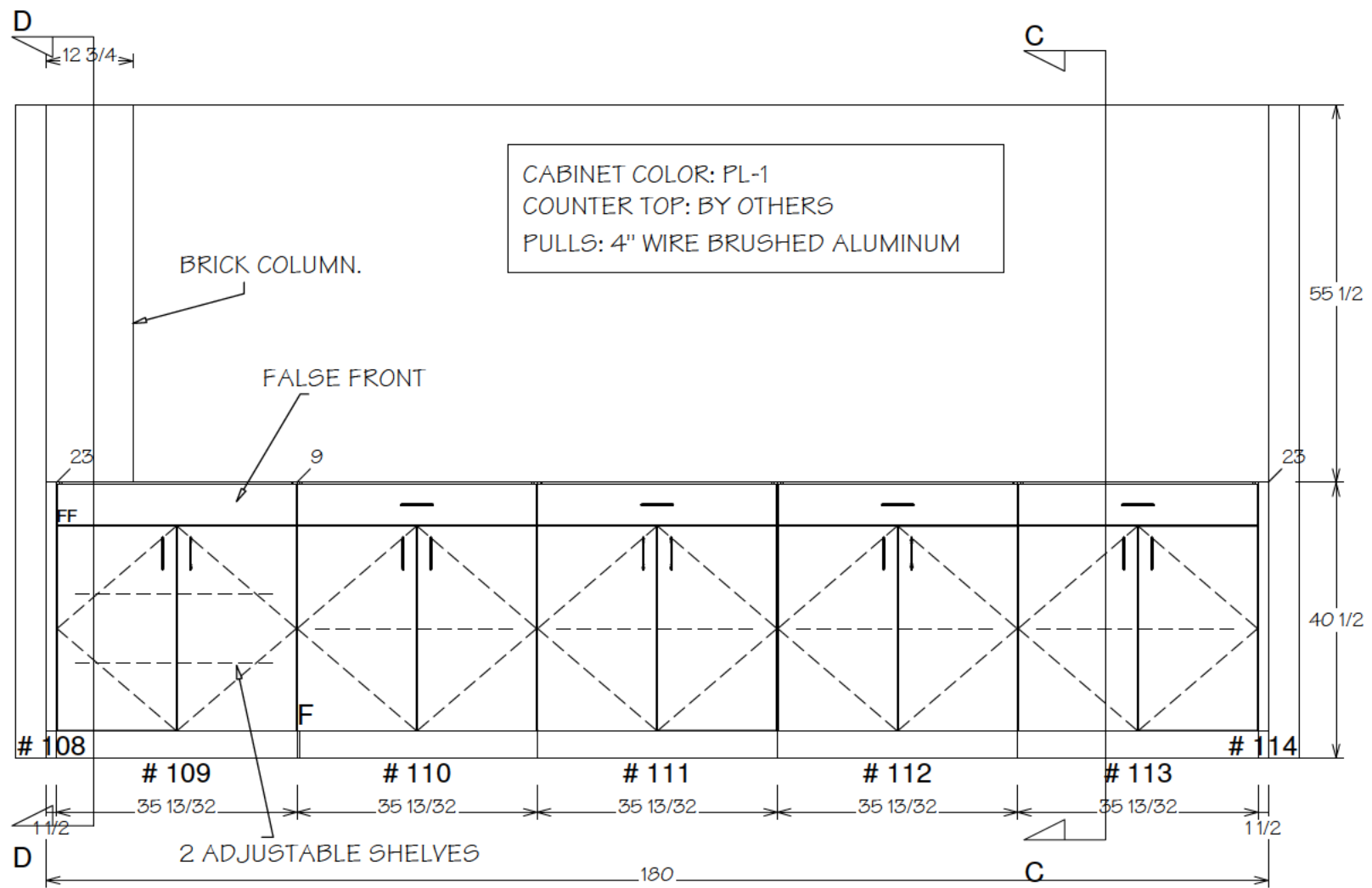
A 1 RECEPTION PLAN
Scale: 1/2" = 1'



A 1 RECEPTION PERSPECTIVE
Scale: 5/8" = 1'

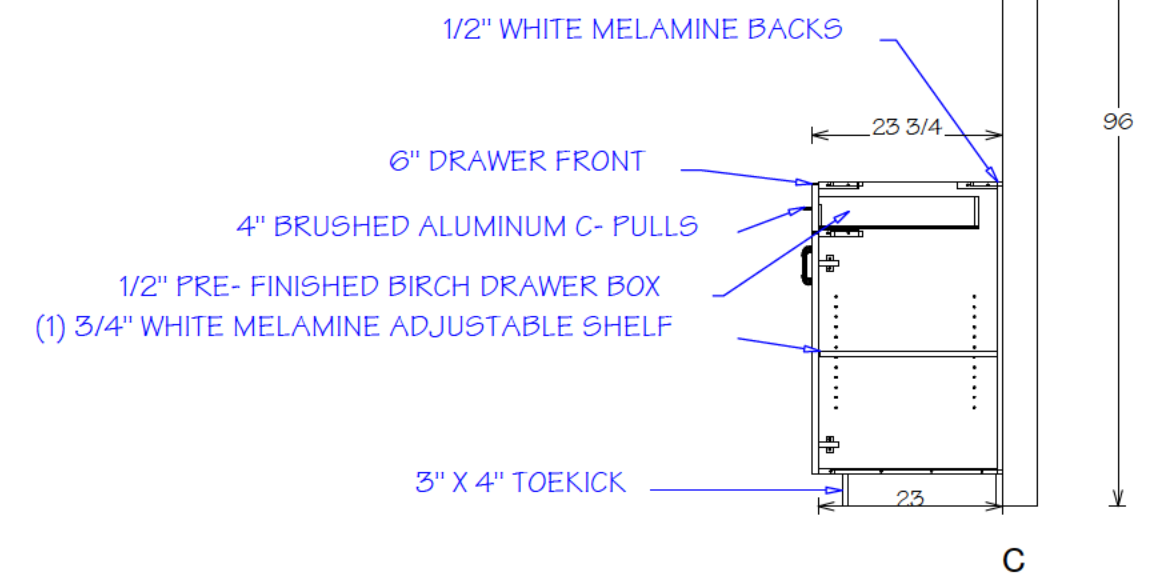
- Approved
- Rejected (As Noted)

Name:		Title: Default	
Address:		Scale:	Date: 1
City:		DWG. By:	Sheet #
Job #:		Sheet 1	



CABINET COLOR: PL-1
 COUNTER TOP: BY OTHERS
 PULLS: 4" WIRE BRUSHED ALUMINUM

ALL EXPOSED EXTERIOR SURFACES TO BE PLAM
 ALL INTERIOR SURFACES ARE 3/4" WHITE MELAMINE

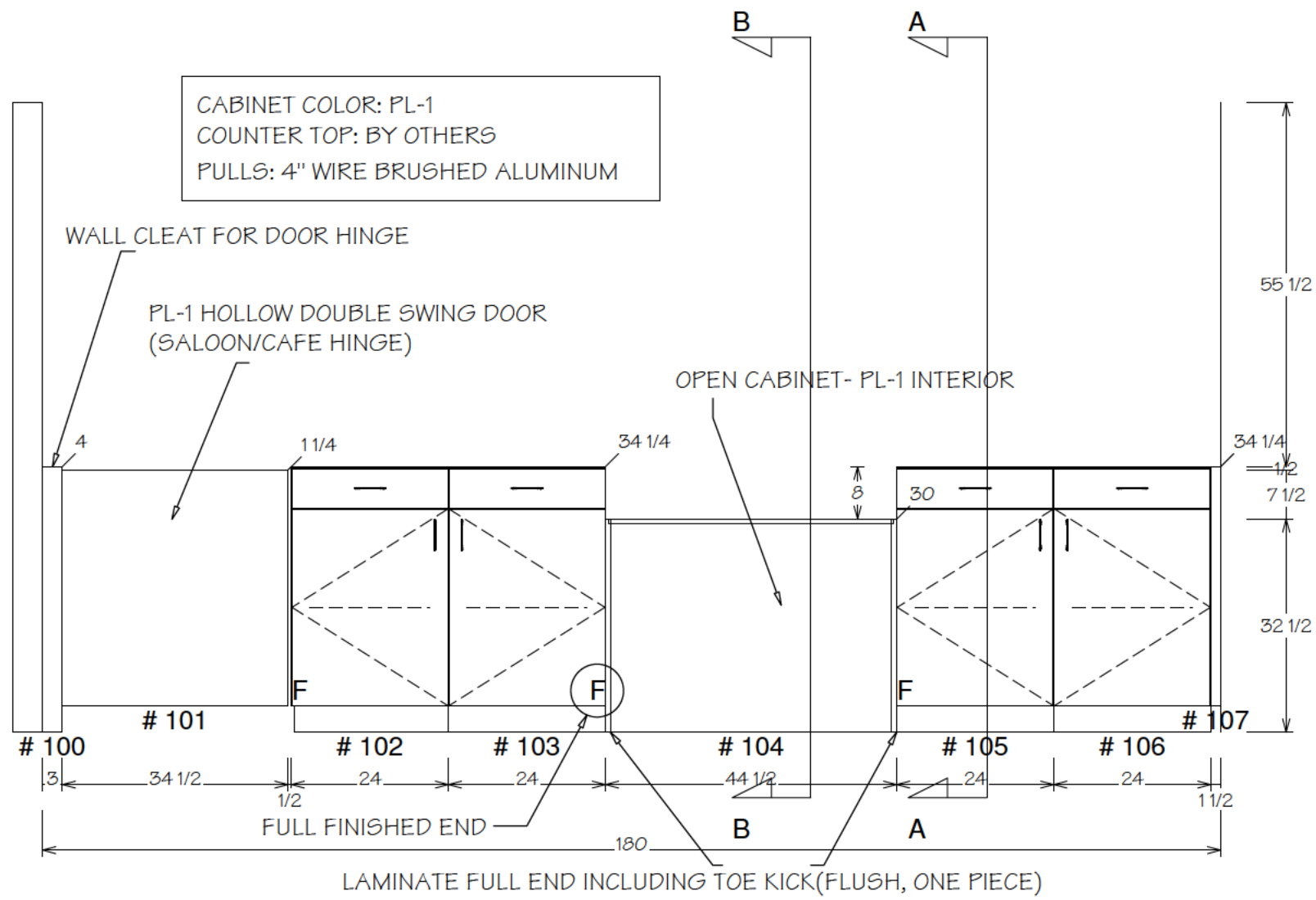


(A)
 1.1
 RECEPTION ELEVATION
 Scale: 1/2" = 1'

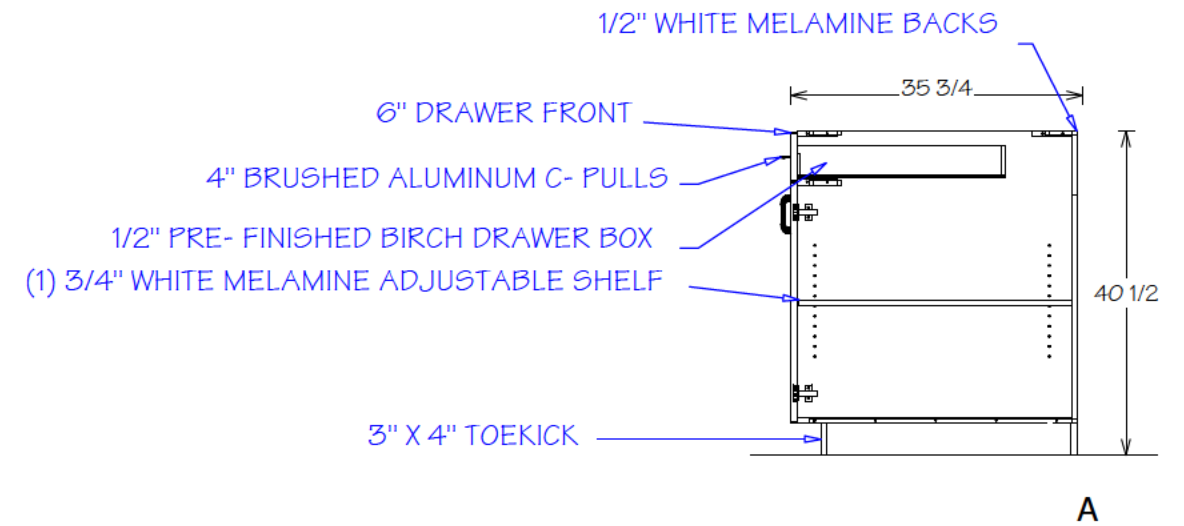
(A)
 1.1C
 RECEPTION SECTION
 Scale: 1/2" = 1'

Approved
 Rejected (As Noted)

Name:	Title: Default	
Address:	Scale: 1/2" = 1'	Date: 1
City:	State:	DWG. By:
Job #:	Sheet # Sheet 2	



ALL EXPOSED EXTERIOR SURFACES TO BE PLAM
ALL INTERIOR SURFACES ARE 3/4" WHITE MELAMINE



A
1.2A

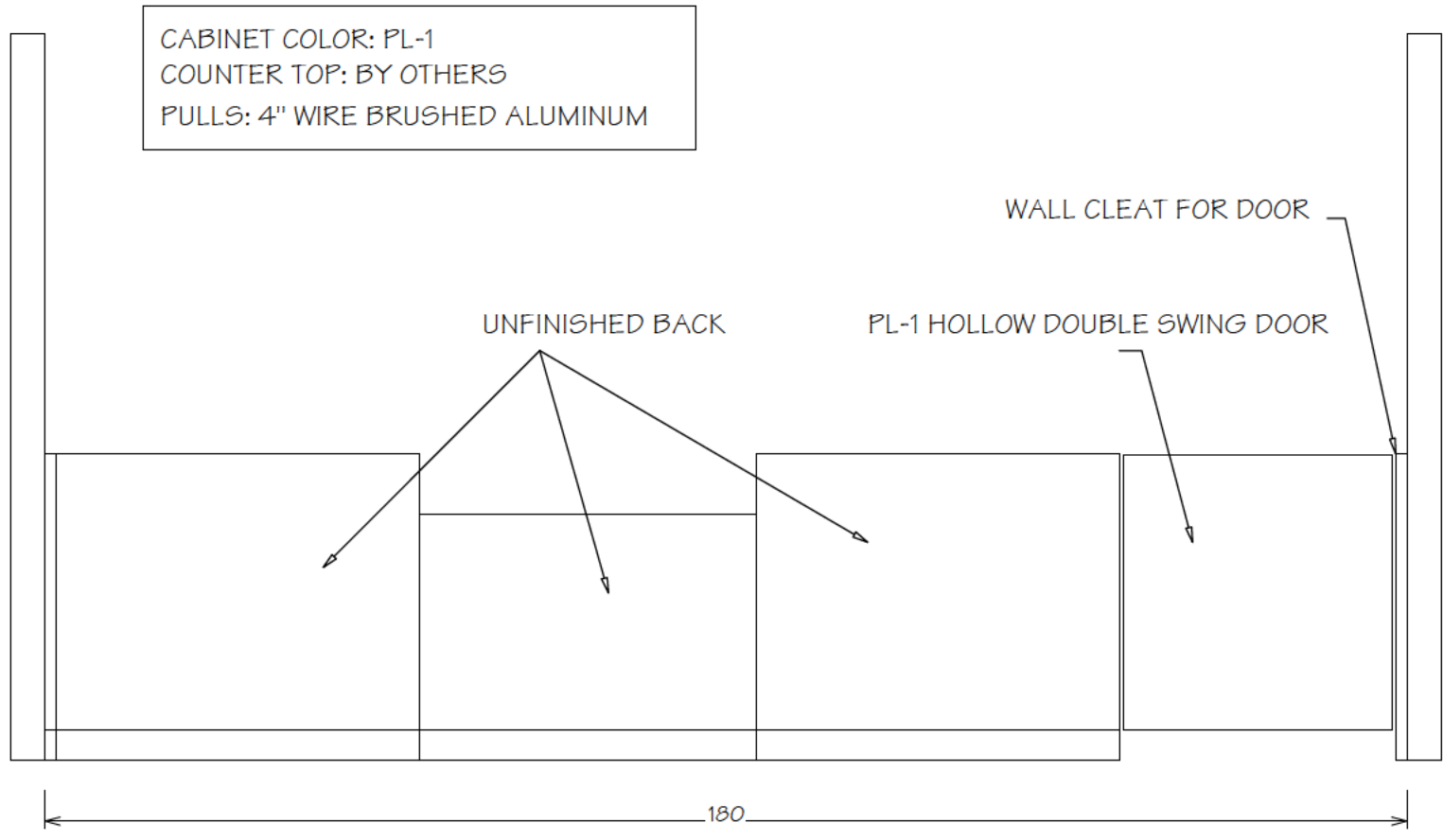
RECEPTION SECTION
Scale: 1/2" = 1'

A
1.2

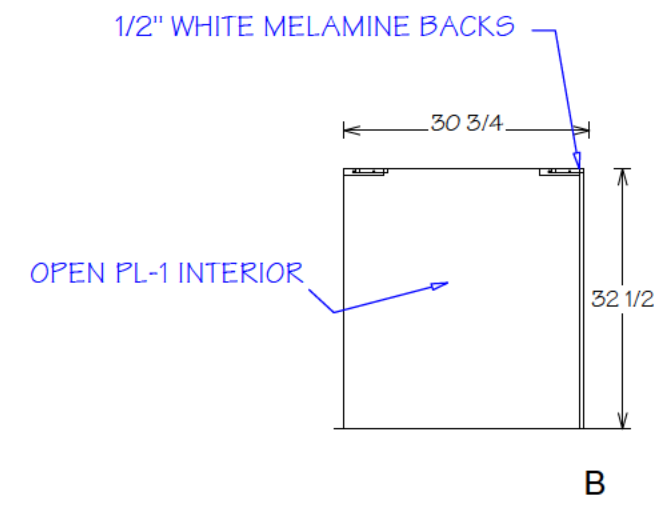
RECEPTION ELEVATION
Scale: 1/2" = 1'

- Approved
- Rejected (As Noted)

Name:	Title: Default	
Address:	Scale: 1/2" = 1'	Date: 1
City:	State:	DWG. By:
Job #:	Sheet # Sheet 3	



ALL EXPOSED EXTERIOR SURFACES TO BE PLAM
 ALL INTERIOR SURFACES ARE 3/4" WHITE MELAMINE



A
 1.3 RECEPTION ELEVATION
 Scale: 1/2" = 1'

A
 1.2B RECEPTION SECTION
 Scale: 1/2" = 1'

Approved

Rejected (As Noted)

Name:		Title: Default	
Address:		Scale: 1/2" = 1'	Date: 1
City:	State:		DWG. By:
Job #:			Sheet # Sheet 4

CONSTRUCTION NOTES

ALL DIMENSIONS TO BE VERIFIED

GC. TO SUPPLY ALL EQUIPMENT AND APPLIANCE SPECS

ALL CABINETS CONSTRUCTION TO BE 3/4" MELAMINE, WITH 1/2" BACKS

ALL CABINET INTERIORS TO BE WHITE MELAMINE

ALL PLAM COUNTER TOP SUBSTRATE TO BE 3/4" PLYWOOD AT WET AREAS

3/4" PARTICLE BOARD AT DRY AREAS. ALL SOLID SURFACE SUBSTRATE TO BE AS SPECIFIED BY MANUFACTUR

ALL CABINET EXTERIOR FINISH TO BE AS INDICATED ON ELEVATIONS AND FINISH SCHEDULE

ALL ADJUSTABLE SHELVES TO BE ON 32MM LINE BORE

PULLS TO BE 4" WIRE, BRUSHED CHROME

CABINET HINGES TO BE FULLY CONCEALED, SELF CLOSING HINGES

DRAWER GUIDES TO BE BLUM 230M SERIES

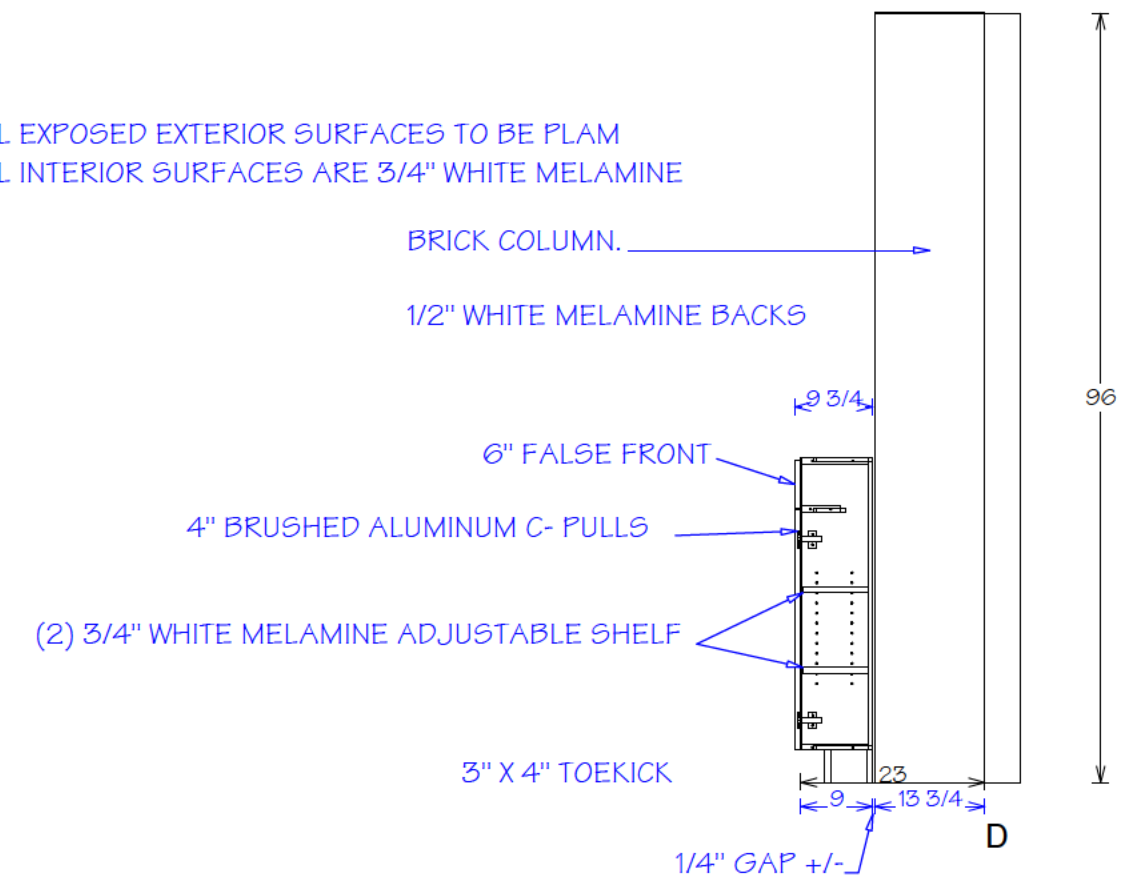
Finish Schedule

7379 WORKOUT ANYTIME

PL-1: WILSONART FASHION GREY D381-60

READY FOR PICK-UP BY DEC. 5TH

ALL EXPOSED EXTERIOR SURFACES TO BE PLAM
ALL INTERIOR SURFACES ARE 3/4" WHITE MELAMINE



A
1.1D

RECEPTION SECTION

Scale: 1/2" = 1'

Approved

Rejected (As Noted)

Name:

Address:

City:

Job #:

Title: Default

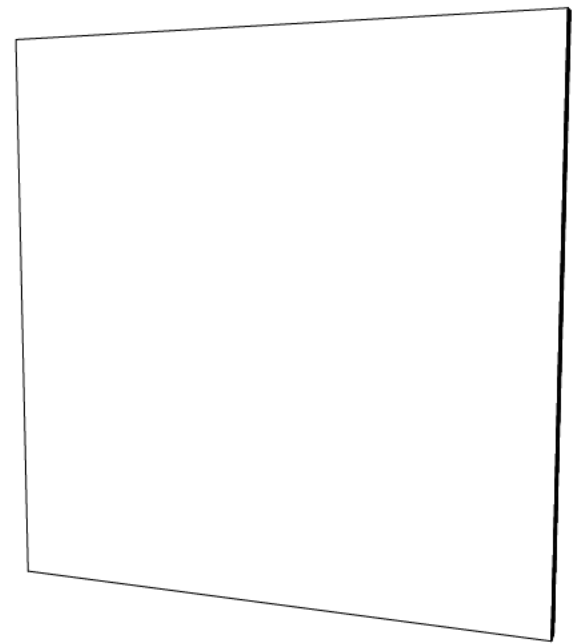
Scale: 1/2" = 1' Date: 1

DWG. By:

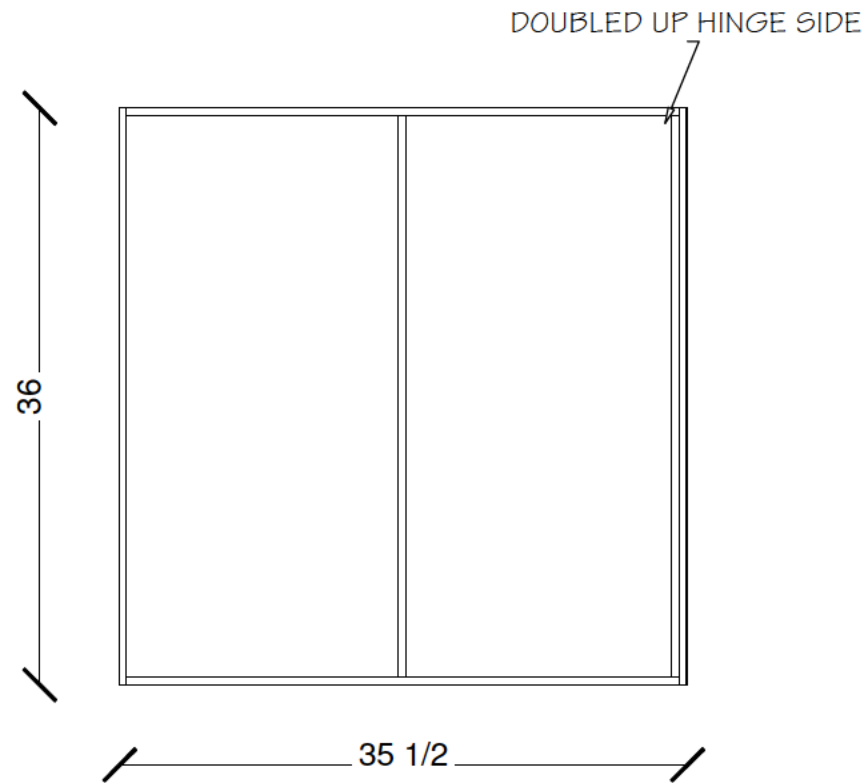
Sheet #

Sheet 5

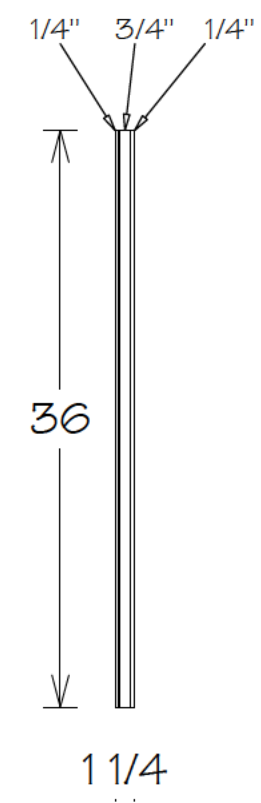
BUILD AS LIGHT AND STRONG AS POSSIBLE
 DOUBLE UP HINGE SIDE AND MARK IT FOR INSTALLER
 PL-1 ALL SIDES, FRONT AND BACK



SWING DOOR PERSPECTIVE



$\frac{A}{5}$ SWING DOOR ELEVATION
 Scale: 1" = 1'



PL-1 ALL SIDES

$\frac{A}{5}$ SWING DOOR SECTION
 Scale: 1" = 1'

Approved

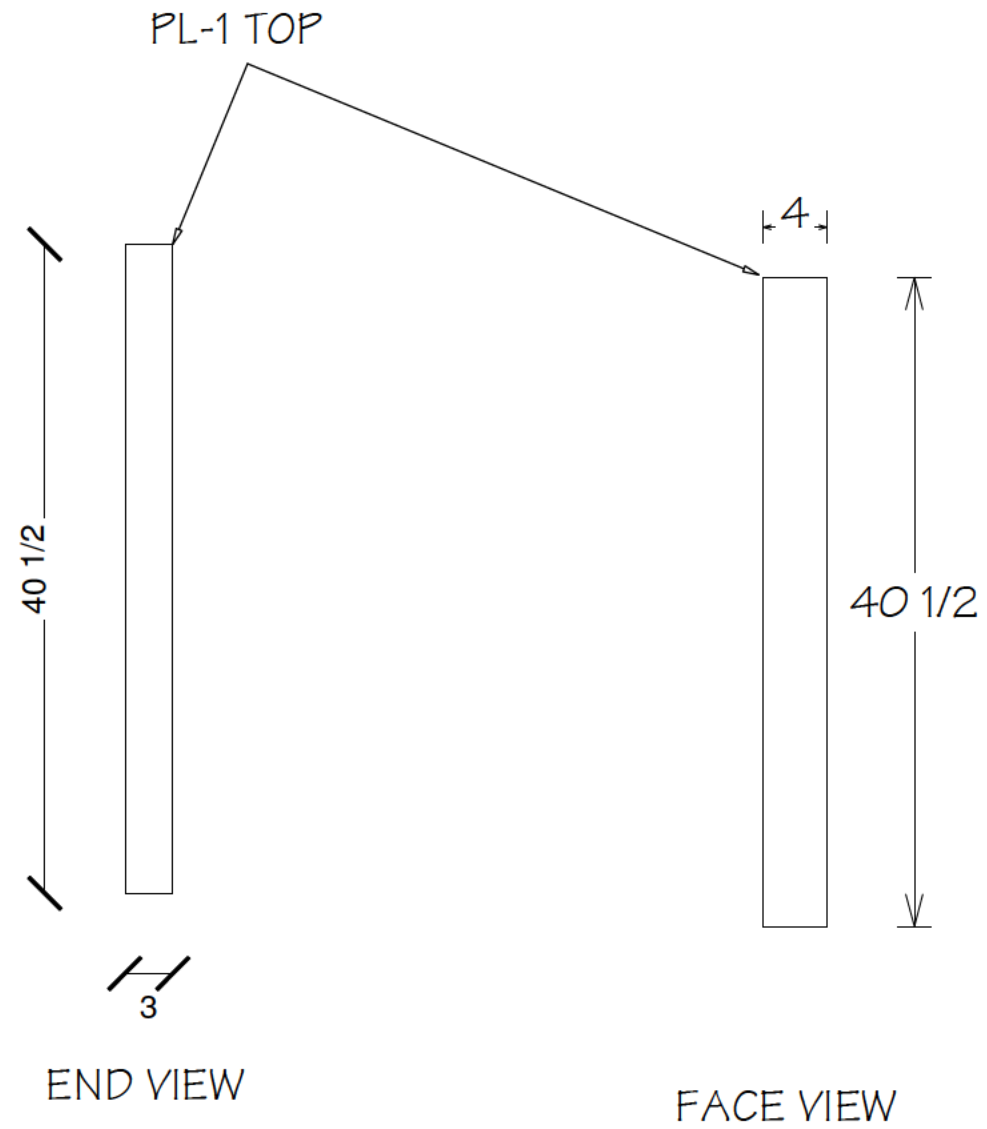
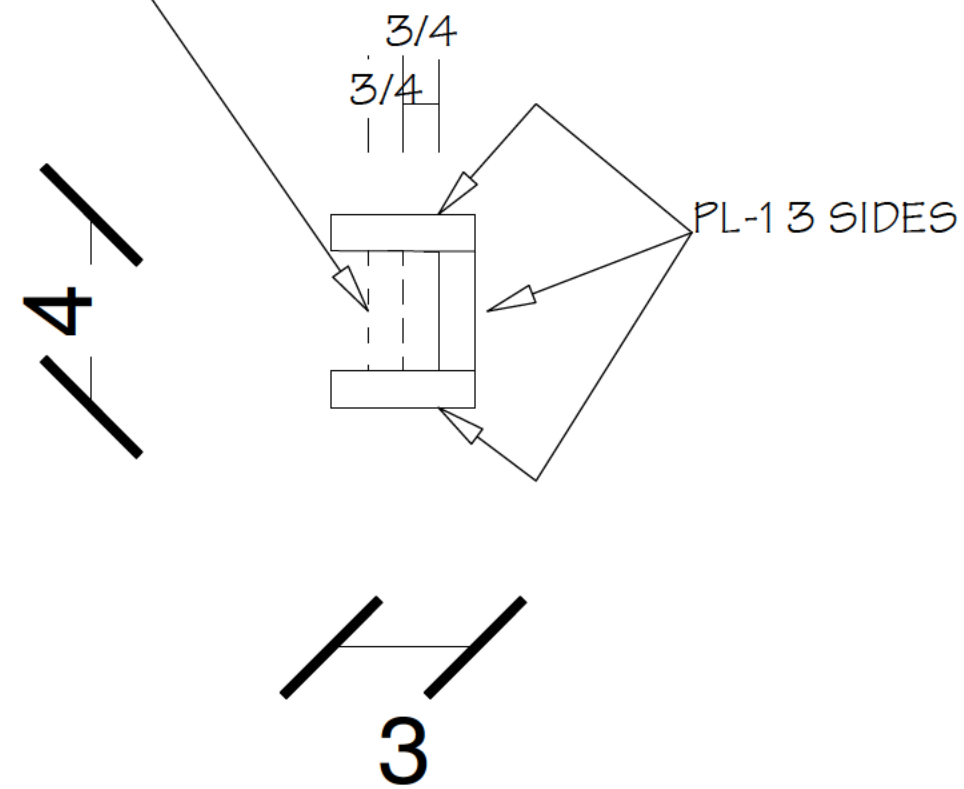
Rejected (As Noted)

Name:		Title: Default	
Address:		Scale:	Date: 1
City:	State:		DWG. By:
Job #:			Sheet #
			Sheet 6

WALL/SWING DOOR CLEAT

IT IS OVERSIZED FOR SCRIBING IN FIELD

MAKE DOUBLED UP CLEAT- NO GLUE



- Approved
- Rejected (As Noted)

Name:		Title: Default	
Address:		Scale:	Date: 1
City:		DWG. By:	Sheet #
Job #:			Sheet 7